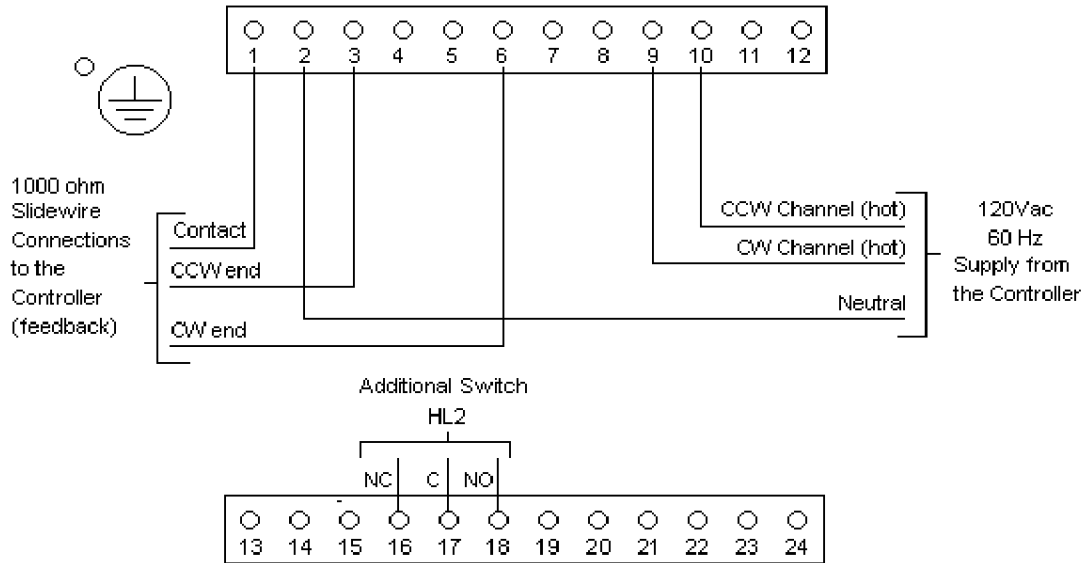
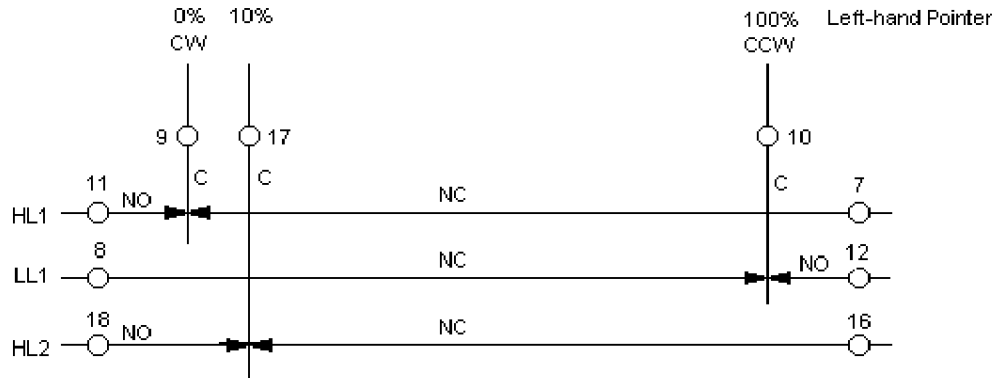


**Customer's Connection Diagram
for
Model 01026XX-X-0100-XXXXXX2X-XX Actuator (CSA)
Model 01026XX-X-0100-XXXXXX3X-XX Actuator (UL)**



Factory Limit Switch Settings



Clockwise and counterclockwise rotation is the direction of the output shaft when facing the end of the shaft. As shown, clockwise rotation of the output shaft closes the final control device.



Notes:

1. For additional information, see 10260 Series Actuators Installation, Operation and Maintenance Manual 70-82-25-24.

2. Connections as shown are for use with left-hand pointer

3. For use with right-hand pointer or projecting scale pointer, make the following changes:

At the actuator terminal board interchange the lead connected to terminal 9 with the lead connected to terminal 10.

At the actuator terminal board interchange the lead connected to terminal 3 with the lead connected to terminal 6.

If the actuator has a right-hand pointer and a left-hand pointer is desired, make the same changes per notes 1 & 2 above. If appropriate move the mechanical pointer, crank arm and linkage to their correct position.

4. To full stroke the actuator in either direction without a controller:

With the limit switches wired to the motor, connect the neutral side of the 120Vac line to terminal 2 and connect the hot side of the 120Vac line to terminal 9 for CW rotation or terminal 10 for CCW rotation. The motor will run until stopped by its appropriate limit switch. If using 240Vac line connect one side to terminal 2 and the other side to either terminal 9 or 10. Do not energize terminals 9 and 10 simultaneously.

Connections to motor only, connect the neutral side of the 120Vac line to terminal 2 and connect the hot side of the 120Vac line to terminal 4 for CW rotation or terminal 5 for CCW rotation. If using 240Vac line connect one side to terminal 2 and the other side to either terminal 4 or 5. Using this configuration the motor will stall when the output shaft rotation is stopped by the mechanical end stops. Do not energize terminals 4 and 5 simultaneously.

5. Switch HL2 is rated for a maximum current of 10 amps. at 120Vac or 5 amps. at 240Vac non-inductive.

Rev. A Initial Release April 1, 1998

Honeywell