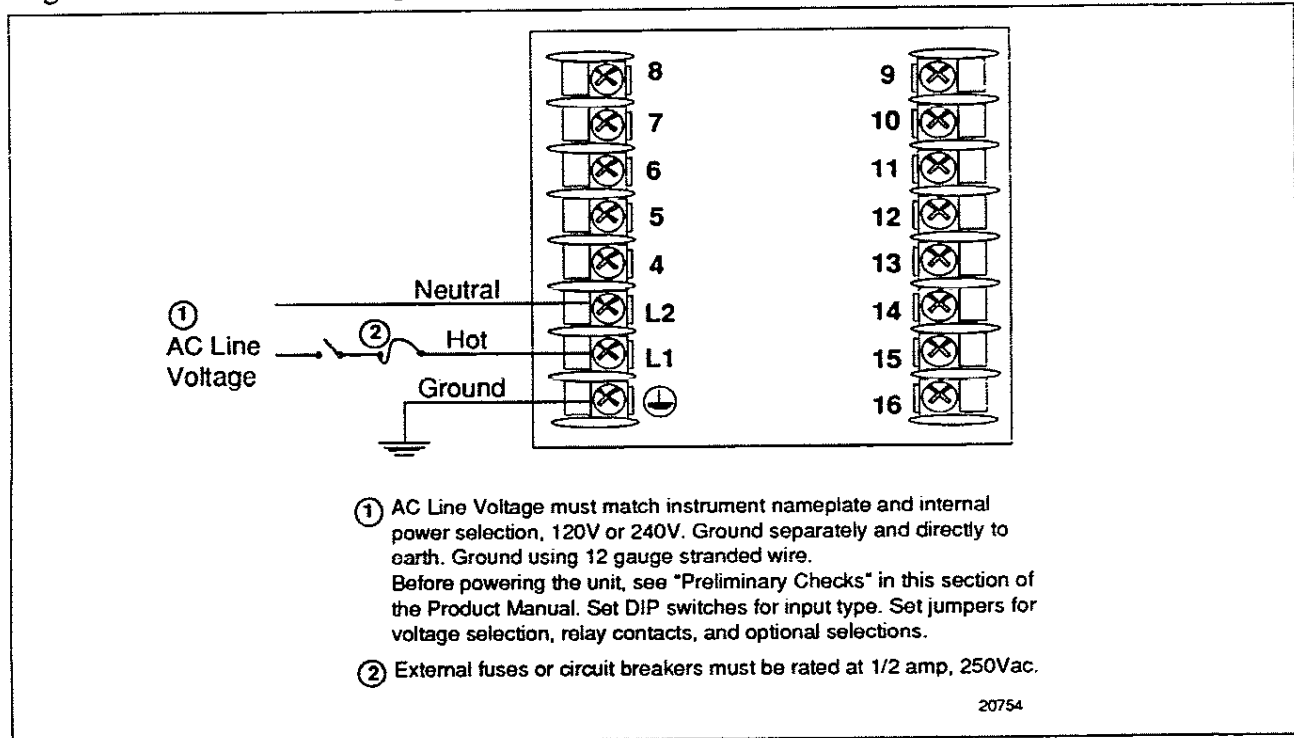


2.7 Wiring Diagrams, Continued

Line voltage wiring

Figure 2-7 shows the wiring connections for the line voltage.

Figure 2-7 AC Line Voltage

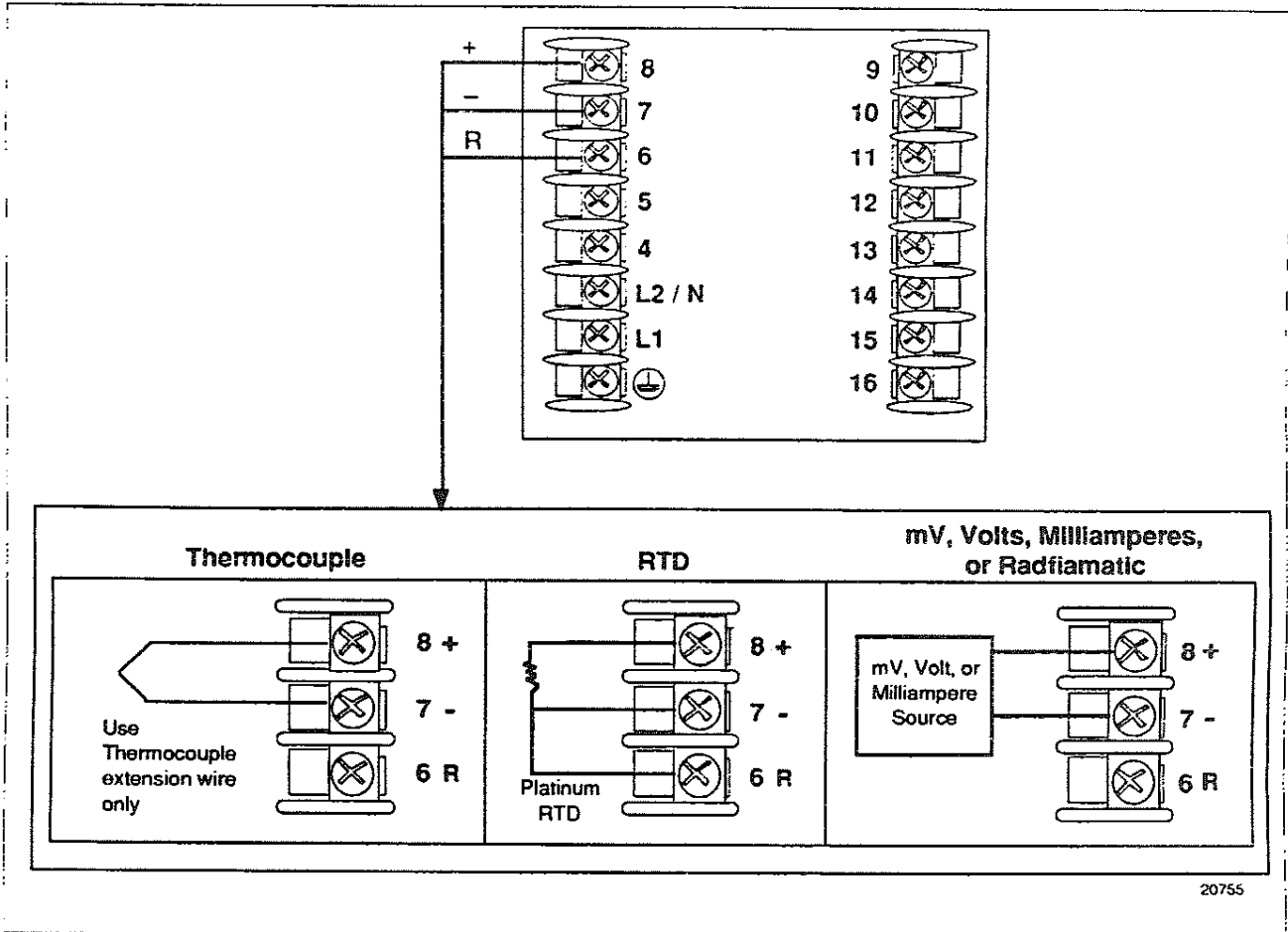


Continued on next page

2.7 Wiring Diagrams, Continued

Input #1 connections Figure 2-8 shows the wiring connections for Input #1.

Figure 2-8 Input #1 Connections

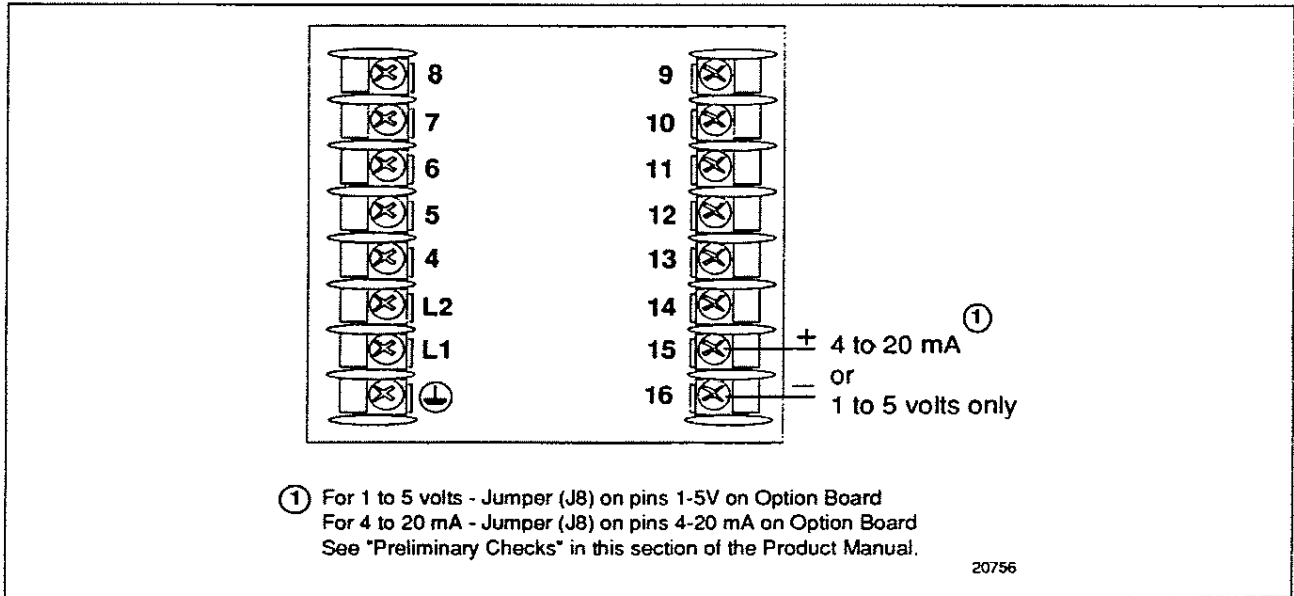


Continued on next page

2.7 Wiring Diagrams, Continued

Input #2 connections Figure 2-9 shows the wiring connections for Input #2.

Figure 2-9 Input #2 Connections



Continued on next page

2.7 Wiring Diagrams, Continued

Relay output

There are three types of relay outputs available on the UDC2000.

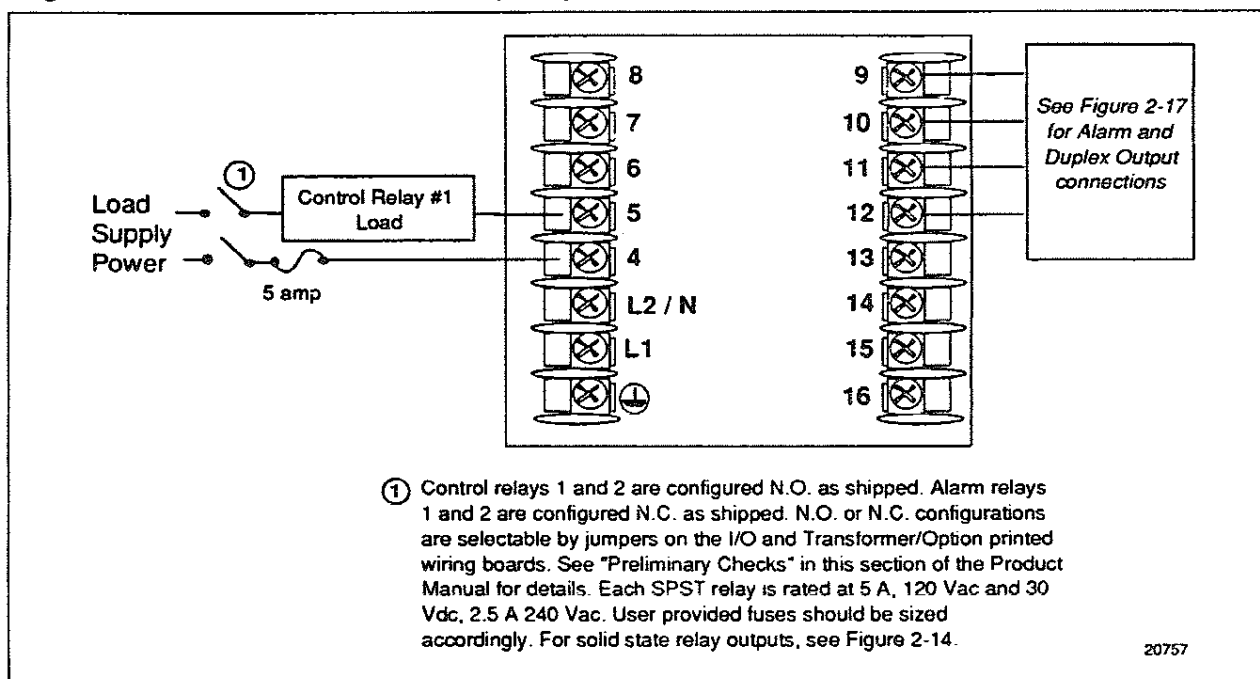
- Electromechanical Relay Output – Figure 2-10
- Solid State Relay Output – Figure 2-11
- Open Collector Output – Figure 2-12

The Alarm wiring connections are the same for all three outputs (See Figure 2-17).

- For Control and Alarm Relay Contact information, see Tables 2-3 and 2-4.

Figure 2-10 shows the Output connections for models with Electromechanical Relay Output.

Figure 2-10 Electromechanical Relay Output - Model DC200E



Continued on next page