

PROCEDURES

Before you install the controller, remove the chassis and make any preliminary checks necessary. If necessary, pull the transformer/option board and the I/O Board out to make the adjustment to the power selection jumper. The figure below shows all the checks listed on page 2-1.

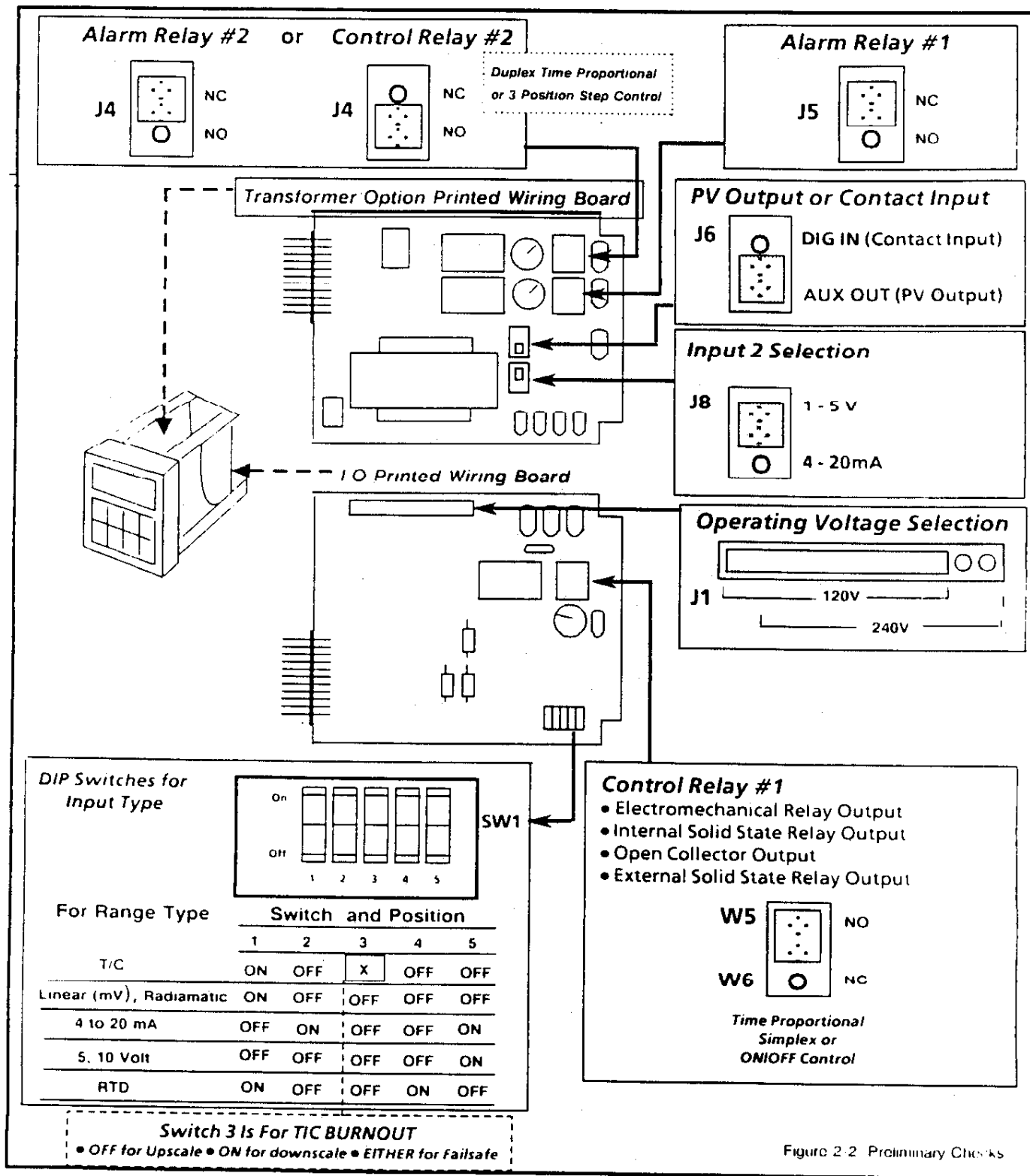


Figure 2-2 Preliminary Checks