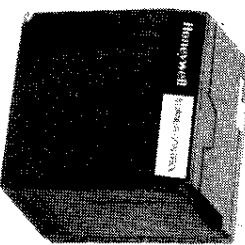


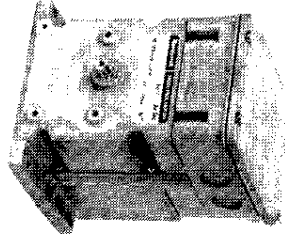
4-20ma into
0-750 Ω load



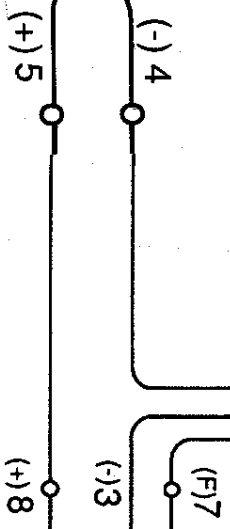
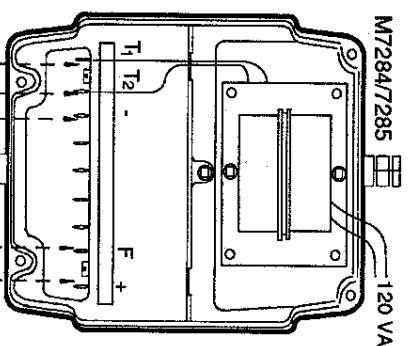
UDC 2000 MINI-PRO / DC200C
Current Proportioning Controller



RM7800 E, G, L
RM7840 E, G, L
RM7838B



Dotted lines depict
interconnection from printed
wiring board with 1/4" male
quick connect to screw
terminal adapter
(part # 220741A)



M7284/7285 Modutrol IV Motor Operating
with a RM7800/7840 E, G, L or RM7838B