

1 Parts List

1.1 Exploded View

Introduction

Figure 1-1 is an exploded view of the UDC2300 Controller. Each part is labeled with a key number. The part numbers are listed by key number in Table 1-1. Parts not shown are listed in Table 1-2.

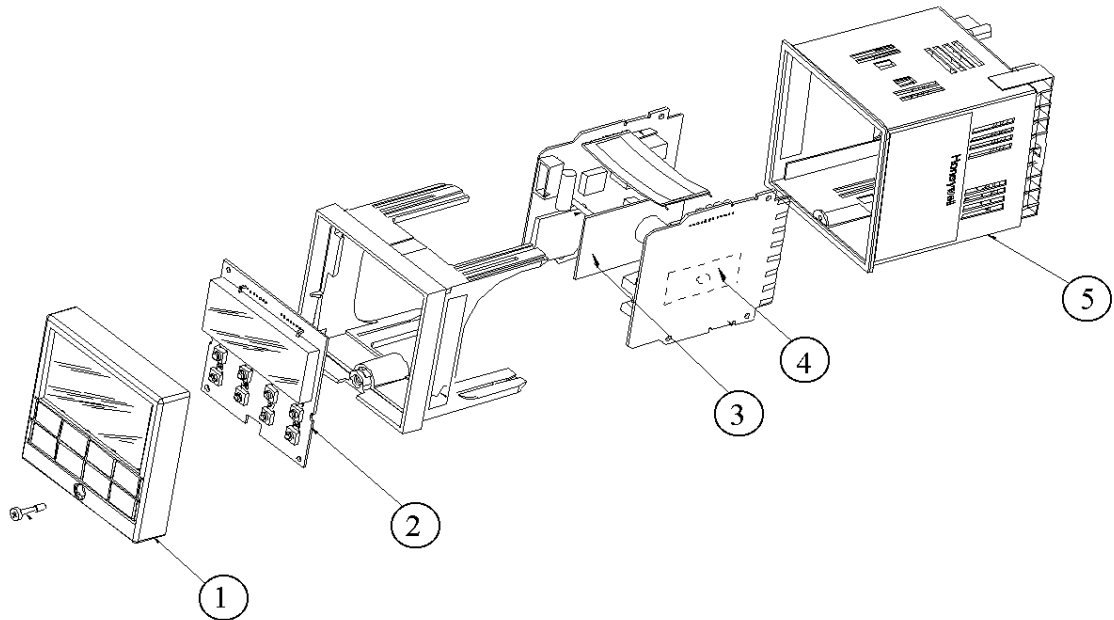


Figure 1-1 UDC2300 Exploded View

Table 1-1 Parts Identification

Key Number	Part Number	Description
1	30756667-503	Bezel Assembly (Gray)
2	51309766-501	Display/Keyboard
3	51309796-501	Current Output PWA
4	51309782-501	Auxiliary Output/Digital Input PWA
	51309831-501	RS-422/485 Communications PWA
5	51404896-501	Case Assembly (includes 30755050-001 Mounting Kit)

1.1 Exploded View, continued**Table 1-2 Parts Not Shown**

Part Number	Description
30755223-003	DIN Adaptor (Gray)
30756683-001	NEMA 3 Gasket (Panel to Case)
30755050-001	Mounting Kit
30757215-001	NEMA 4 Adaptor Kit
30756679-501	Open Collector Output printed Wiring Jumper
30756764-002	Rear Terminal Cover Kit
30756018-001	SS Relay 10 Amp (external)
30756725-501	SS Relay 1 Amp (internal)
30754465-501	0-10 Volt Input resistor Assy (100K pair)
30754142-003	Terminal Strip Assy
30755306-501	Electro-mechanical Relay (5 Amp)