

Configuration Card

100 mm Recorder Digital Display

CCPLEN-6137
06-95
ISSUE 2

Operator keys

The 4 keys



can be used as operation keys.

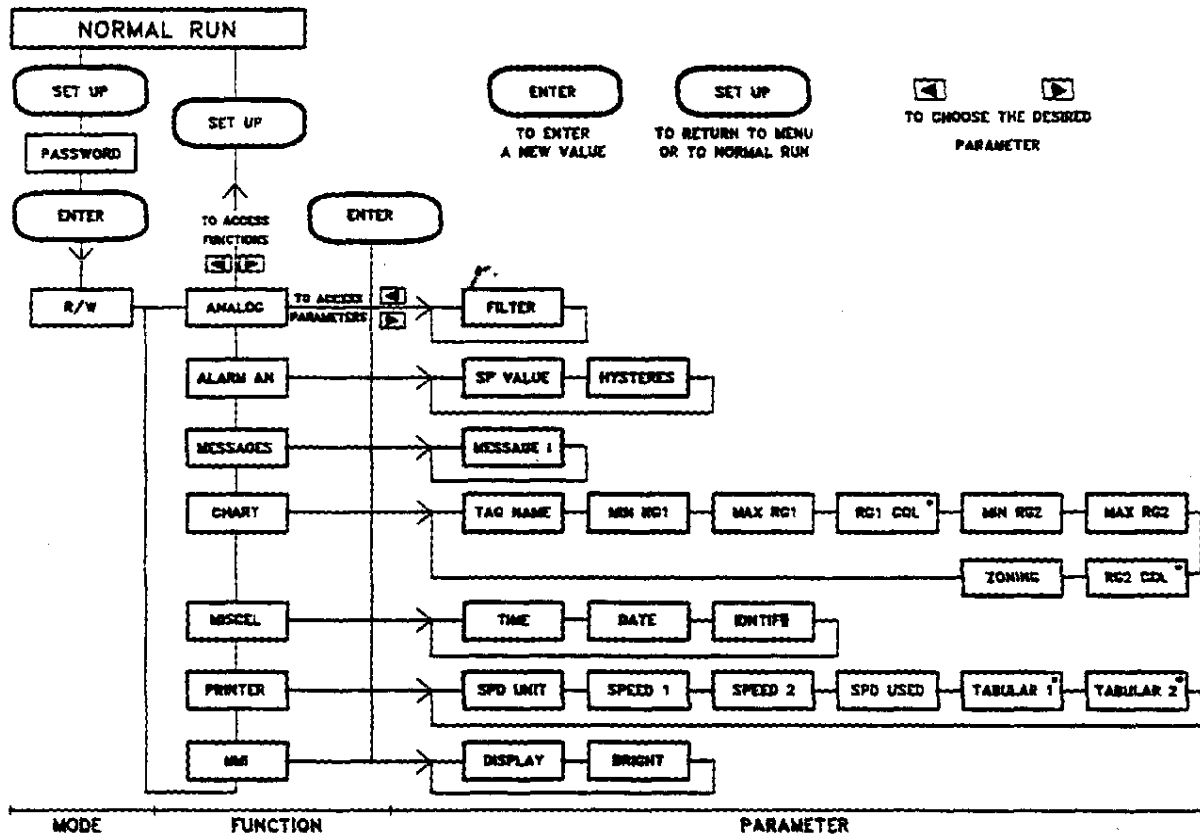
These keys can be enabled or disabled in configuration (MM1).

The selections are :

HOLD DISPLAY	SELECT DISPLAY TYPE	PRINTER	MATH/BATCH
▲	▼	◀	▶
<ul style="list-style-type: none"> - on CH1 - on CH2 - on CH3 - on CH4 - on CH5 - on CH6 - Display scan 	<ul style="list-style-type: none"> - Analog Input - Math Res - Traces - Traces and Tag - 1 Bargraph - 2 Bargraphs - Date and Time - Speed in use - Alarm 	<ul style="list-style-type: none"> - Print Time - Print PV Values - Chart Hold - Chg Speed - Chart Advance* - Reset Chart Length 	<ul style="list-style-type: none"> - Reset Math 1 - Reset Math 2 - Reset Math 3 - Reset Math 4 - Reset Math 5 - Reset Math 6 - Reset All Math - Reset Batch # - Incr. Batch #

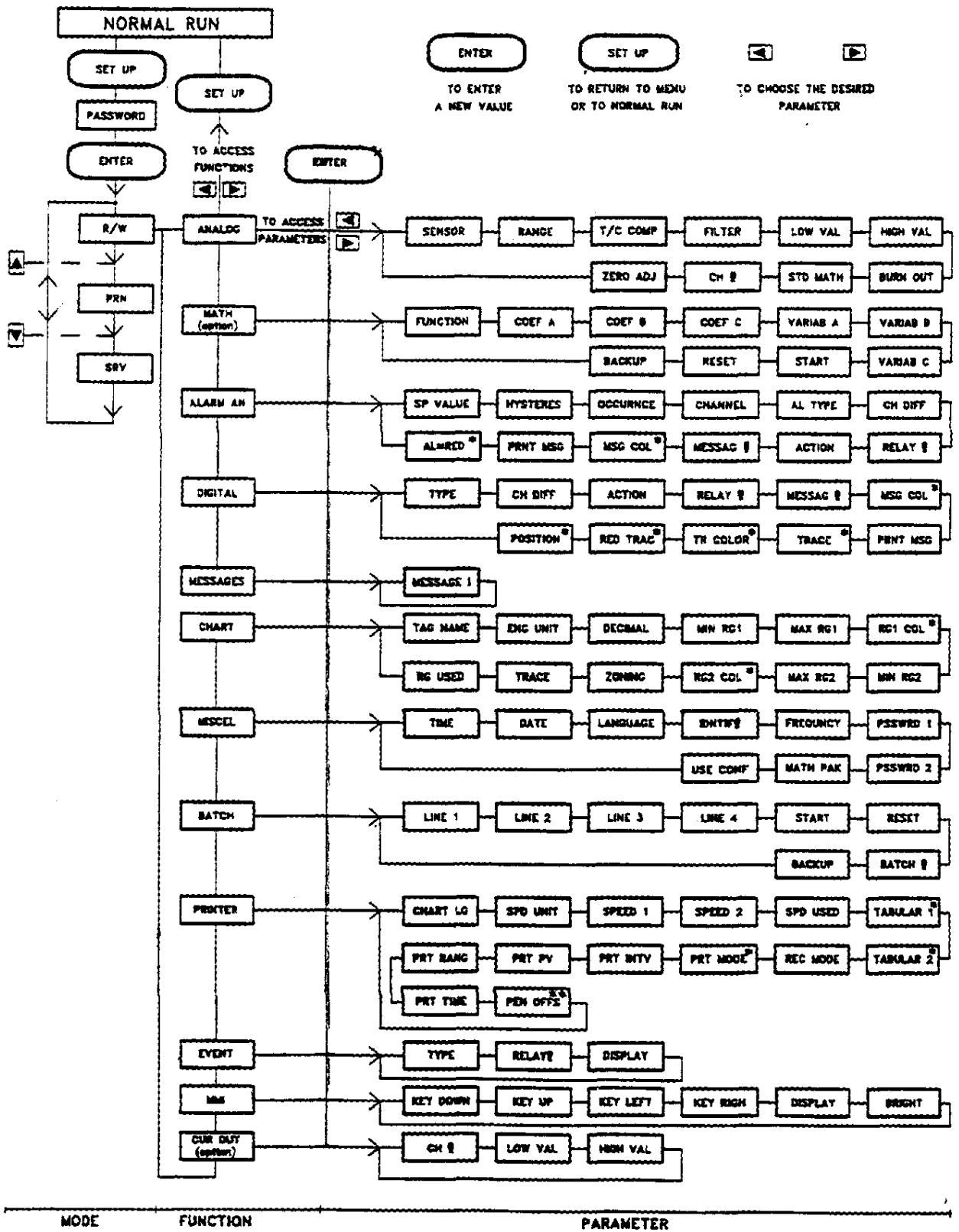
*As long as you keep pressed, the chart advances.

Press to confirm the choice.



Matrix Organization with Password #1

* Available on Multipoint recorders only.



Matrix Organization with Password #2

* Available on Multipoint recorders only.

** Available on Pen recorders only.