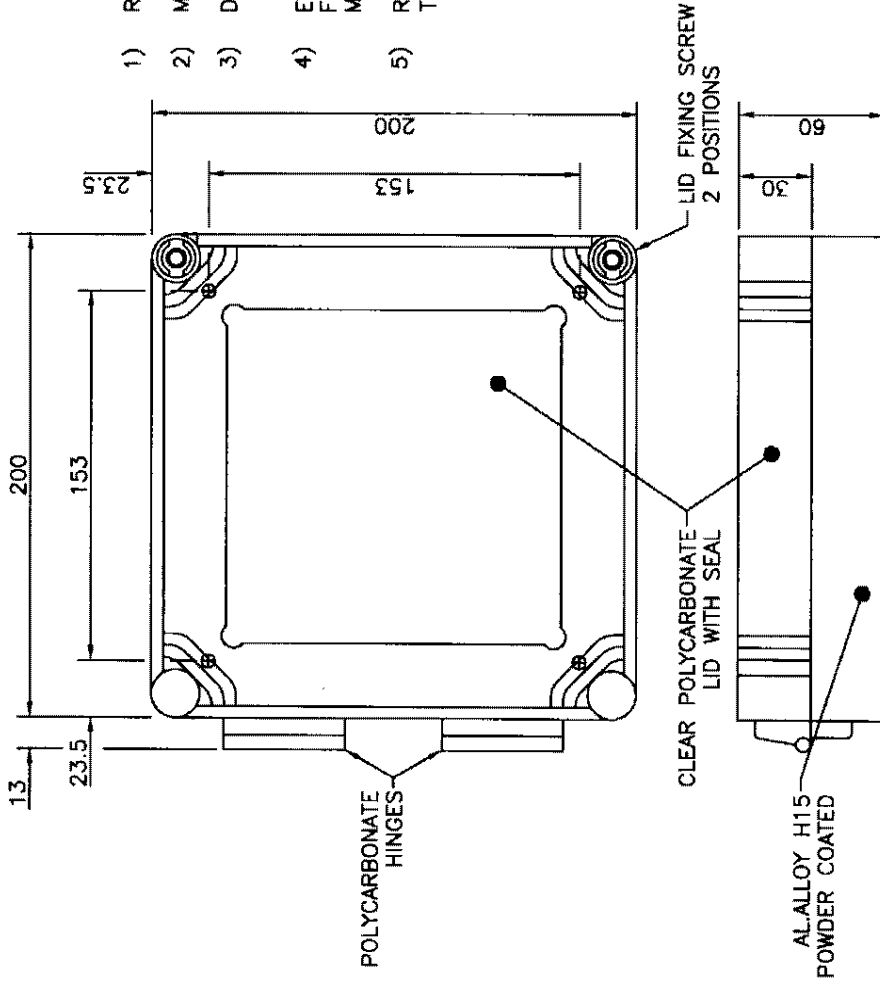


TITLE **SPLASH PROOF DISPLAY HOUSING FOR DIN 144**

THIRD ANGLE PROJECTION TO B.S. 308	FOR GENERAL TOLERANCES & FINISHES SEE TRENVIEW STANDARD 001 FOR GEOMETRIC TOLERANCES SEE B.S. 308 Pt3	HOLE DATA	
		HOLE REF.	No. OF HOLES
		DESCRIPTION	POS. TOL.

IF IN DOUBT, ASK



INSTALLATION DETAILS

- 1) RECORDER MOUNTING PANEL CUT-OUT 138 x 138 +1 -0
- 2) MOUNTING PANEL THICKNESS 2 MINIMUM
- 3) DISPLAY HOUSING FIXING CENTRES 152 x 152 x Ø 5.5 POS.TOL. Ø 0.5
- 4) EXPANDED NEOPRENE GASKET SUPPLIED, FITTED BETWEEN DISPLAY HOUSING AND MOUNTING PANEL
- 5) REDUCE LENGTH OF MOUNTING CLAMPS TO SUIT PANEL THICKNESS (IF REQUIRED)

MATERIAL SEE ABOVE	FINISH	TOLERANCES	SCALE 1:2	ISSUE 1	2	3	PG
			DIMS mm	DATE 28.07.98	20.10.98	10.02.99	
			CHANGE NEW	CH7666	CH7695		