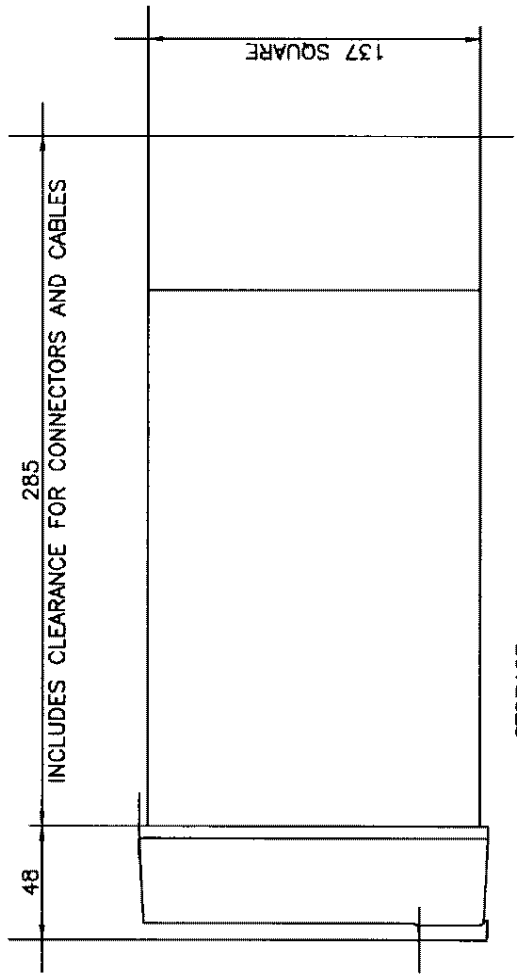
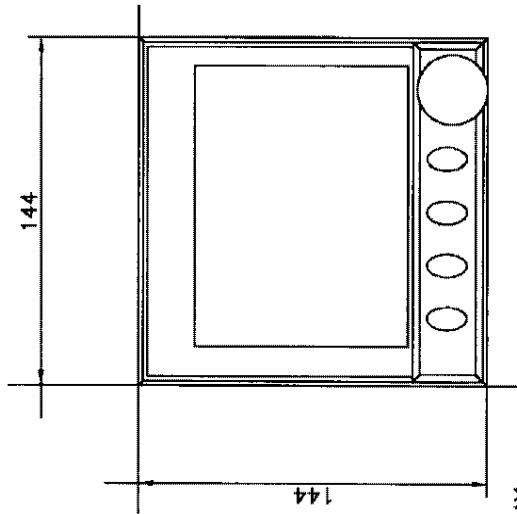


TITLE: DATA SHEET FOR MINITREND V5 SIZE: A3

THIRD ANGLE PROJECTION TO B.S. 308	FOR GENERAL TOLERANCES & FINISHES SEE TRENVIEW STANDARD 001 FOR GEOMETRIC TOLERANCES SEE B.S. 308 Pt.3	HOLE DATA	POS. TOL.
		No. OF HOLES	
		DESCRIPTION	



**DISPLAY**

SIZE: 5.5 INCH DIAGONAL COLOUR  
 RESOLUTION: QUARTER VGA (320 X 240 PIXELS)  
 TECHNOLOGY: INDUSTRIAL LCD (TFT)

PEN INPUTS (ANALOGUE CARD)

SAMPLE RATE: 50ms SAMPLING  
 NUMBER: 4,6,8,12,16  
 TYPE: 0-20mA, 4-20mA (INTO 10 OHMS), 0-5V, 1-5V (>1MOHMS), 0-10V (>1MOHMS)

RESOLUTION: <0.025% (12 BIT ADC)  
 ACCURACY: ±0.5% OF FULL RANGE  
 ISOLATION: 100Vdc CHANNEL TO CHANNEL, CHANNEL TO GROUND

**STORAGE**

DATA (INTERNAL)  
 DATA (TRANSFER)  
 SETUP (INTERNAL)  
 POWER  
 VOLTAGE  
 CONSUMPTION  
 INSTALLATION  
 PANEL CUT-OUT  
 PANEL THICKNESS  
 WEIGHT  
 OPTIONS

4 MEGABYTE BATTERY BACKED RAM  
 120 MEGABYTE SUPER DISK DRIVE (COMPATIBLE WITH STANDARD 1.44 MEGABYTE FLOPPY)  
 EEPROM  
 90 TO 264Vac, 47 to 440Hz  
 <30VA  
 +1  
 +1  
 138 -0 X 138 -0  
 2 MINIMUM  
 3.5kg MAX

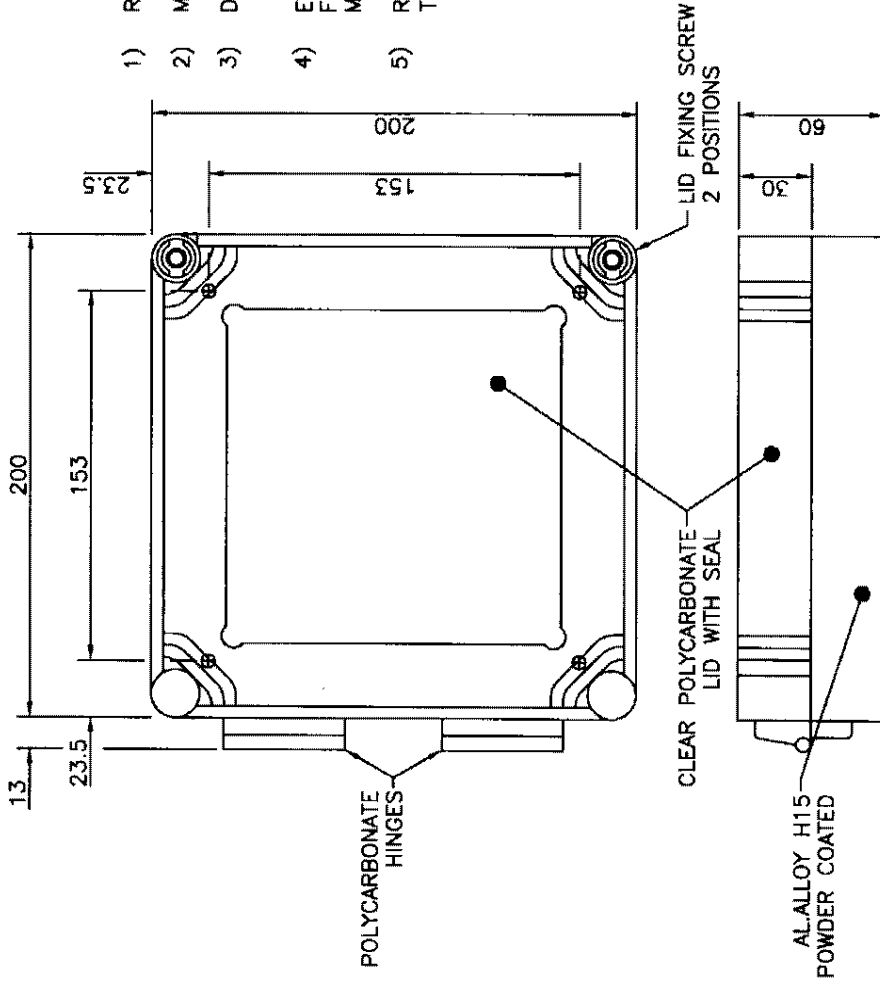
REFER TO BROCHURE

MATERIAL	FINISH	TOLERANCES	SCALE	1:2	ISSUE	1
			DIMS	mm	DATE	13.01.99
					CHANGE	NEW

TITLE **SPLASH PROOF DISPLAY HOUSING FOR DIN 144**

THIRD ANGLE PROJECTION TO B.S. 308	FOR GENERAL TOLERANCES & FINISHES SEE TRENVIEW STANDARD 001 FOR GEOMETRIC TOLERANCES SEE B.S. 308 Pt3	HOLE DATA	
		HOLE REF.	No. OF HOLES
		DESCRIPTION	POS. TOL.

IF IN DOUBT, ASK



**INSTALLATION DETAILS**

- 1) RECORDER MOUNTING PANEL CUT-OUT 138 x 138 +1 -0
- 2) MOUNTING PANEL THICKNESS 2 MINIMUM
- 3) DISPLAY HOUSING FIXING CENTRES 152 x 152 x Ø 5.5 POS.TOL. Ø 0.5
- 4) EXPANDED NEOPRENE GASKET SUPPLIED, FITTED BETWEEN DISPLAY HOUSING AND MOUNTING PANEL
- 5) REDUCE LENGTH OF MOUNTING CLAMPS TO SUIT PANEL THICKNESS (IF REQUIRED)

MATERIAL SEE ABOVE	FINISH	TOLERANCES	SCALE 1:2	ISSUE 1	2	3	PG
			DIMS mm	DATE 28.07.98	20.10.98	10.02.99	
			CHANGE NEW	CH7666	CH7695		