

Running the Optional Self-Test

Introduction

You can have the recorder run its self-test when power is applied by setting a DIP switch and slide-switch on the Main printed circuit board.

- This test verifies that the electronic components and the pen and chart drive functions are operating properly by printing a step pattern, which is independent of any chart settings, with horizontal lines drawn at each 10% increment on the chart.
- The test will run for one complete revolution of the chart, so it will take a while to complete.
- You do not have to run the self-test before putting the recorder into operation, but doing so will verify the general operational status of the recorder.

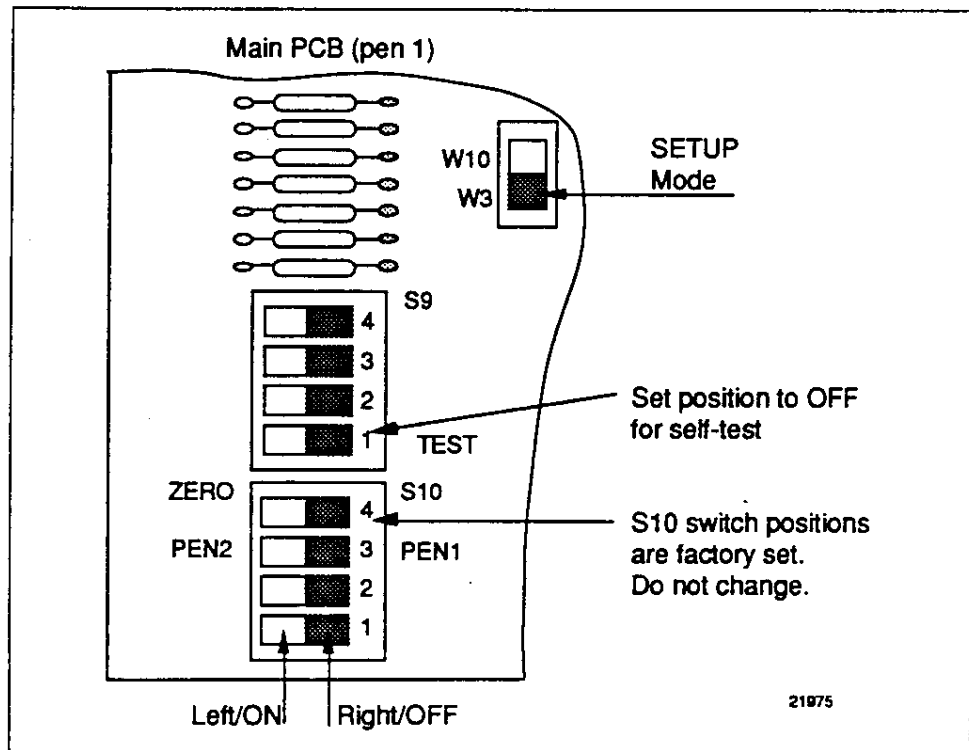
ATTENTION If the self-test does not run, recheck the DIP switch and jumper positions as well as power connections. Be sure that all the cable plugs are fully seated on the connectors on the Main printed circuit board.

WARNING Do not make DIP switch changes with power applied to the recorder since the chance for electrical shock exists.

Procedure

Refer to Figure 5-2 for DIP-switch and jumper locations and follow the procedure in Table 5-2 to run the self-test.

Figure 5-2 DIP Switch and Jumper Locations for Running the Self-Test



Continued on next page

Running the Optional Self-Test, Continued

Procedure, continued

Table 5-2 Running the Self-Test

Step	Action
1	Loosen the captive screw in the chart plate and swing the chart plate out.
2	Locate DIP switch S9 on the lower left side of the Main printed circuit board for Pen #1 (see Figure 5-2 for location).
3	Set position 1 to the right/OFF .
4	Find W3/W10 slide-switch, which is located just to the right and above S9 DIP-switch on the Main printed circuit board for Pen #1, and put it in its W3 position for Set-Up mode.
5	Repeat steps 2 through 5 for Pen #2 Main printed circuit board.
<p>CAUTION If your recorder has relay output, the relay(s) will be turned ON/OFF during the self-test. Be sure that your process can tolerate some upsets during the self-test cycle, or disconnect the output wiring.</p>	
6	Be sure the cap is removed from the pen tip and the chart is installed (see subsection 5.4 - Start-up). Close the chart plate, apply power to the recorder, and check periodically to see that it is generating a step pattern on the chart as shown in Figure 5-3.
<p>ATTENTION You can interrupt the self-test cycle by removing power and returning the slide-switch to its W10 position.</p>	
7	At the completion of the self-test, the recorder automatically returns to the Run mode.
8	If you do not want the self-test to run every time power is cycled On/Off, return the slide-switch to the W10 position.

Continued on next page

Running the Optional Self-Test, Continued

Chart step pattern

Figure 5-3 is a typical chart step pattern generated by the recorder in the self-test.

Figure 5-3 Typical Chart Step Pattern

