

Checking Mechanical Pen Alignment at Zero and Span

Introduction

You can have the recorder drive the pen to the zero position on the chart by setting a DIP switch and slide-switch on the Main printed circuit board. This will let you mechanically adjust the pen tip to the zero line on the chart.

Procedure

Refer to Figure 6-1 and follow the procedure in Table 6-11 to check the mechanical pen alignment at zero.

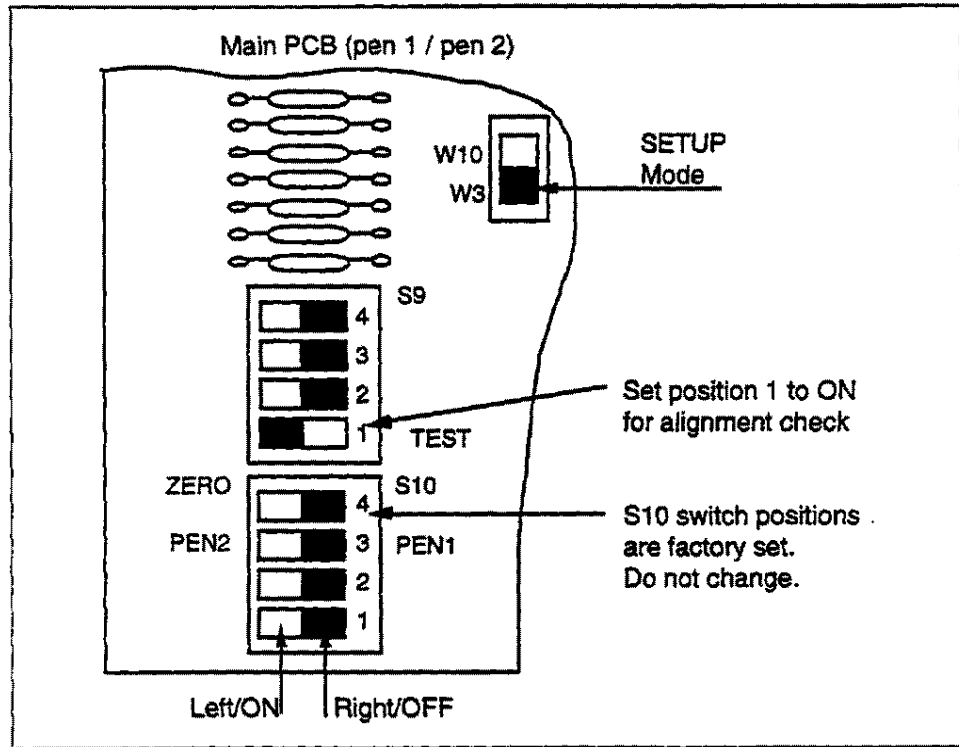
Table 6-11 Check the Mechanical Pen Alignment

Step	Action
1	Loosen the captive screw in the chart plate and swing the chart plate out.
WARNING Do not make DIP switch changes with power applied to the recorder, since the chance for electrical shock does exist.	
2	Locate DIP Switch S9 on the lower left side of the Main printed circuit board (see Figure 6-1).
3	Set position 1 on the S9 switch to left/ON.
4	Locate the W3/W10 slide-switch which is just to the right and above S9 DIP-switch on the Main printed circuit board (see Figure 6-1).
5	Put the slide-switch in its W3 position for SETUP mode, and close the chart plate.
6	Apply power to the recorder.
ATTENTION If the recorder is a 2-pen model, repeat steps 2 through 6 on the Main printed circuit board for Pen #2 to adjust the Pen #2 position first.	
7	Loosen the screw holding the No. 1 pen arm to the servo shaft and move the pen arm to access the locking screw in the No. 2 pen arm, if applicable.
8	Align the pen tip for the No. 2 pen with the zero line on the chart and tighten the locking screw, if applicable.
9	Align the pen tip for the No. 1 pen with the zero line on the chart and tighten the screw.
10	Remove the power, open the door, and swing the chart plate out. Return the slide-switch to the W10 position.
11	Return the S9 switch to right/OFF.
12	Close the chart plate and door and apply power.

Checking Mechanical Pen Alignment at Zero and Span

Procedure, continued

Figure 6-1 DIP Switch and Jumper Locations for Pen Alignment Check



Do not adjust switch
S9 POSITIONS 2-4

Various pen positions can be tested using the switch combinations below.

S10 Position 4	S9 Position 1	Pen Position
OFF	ON	Zero
ON	OFF	50%
ON	ON	100%