

DR4200 GP Model - Parts List

Chart plate

Figure 7-2 is an exploded view of the Chart Plate Assembly.
 • Table 7-2 is a list of the associated part numbers.

Figure 7-2 Chart Plate Assembly

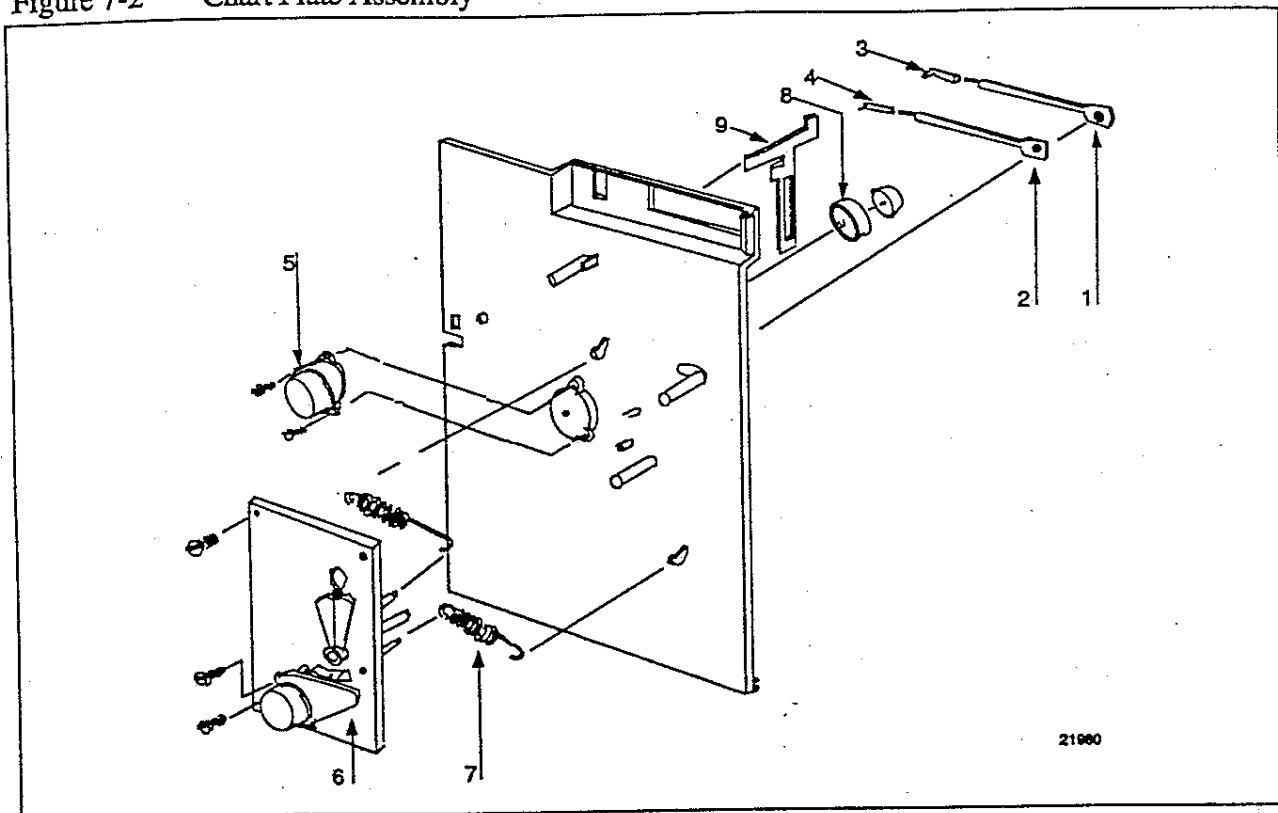


Table 7-2 Chart Plate Assembly Parts

Key	Part Number	Description	Recommended Spare Parts Per		Quantity per Unit
			10	100	
1	(K)30756409-002	No. 1 Pen Arm	1	5	1
2	(K)30756409-002	No. 2 Pen Arm (2-pen model only)	1	5	1
3	30735489-007	No. 1 Purple Pen Cartridge (Six Pack)	1	3	1
4	30735489-002	No. 2 Red Pen Cartridge (Six Pack)	1	3	1
5	30756113-501	Chart Motor	1	3	1
6	30755833-501 30755833-502	Servo Motor Assembly 1-pen model 2-pen model			1
7	(K)30756409-002	Spring, Tension			1/2
8	(K)30756150-001	Chart Hub Kit (includes 5 hubs and 5 adapters)			1
9	(K)30756409-002	Pen Lifter Retainer			1

(K) denotes that the part number is for the parts kit in which the described part is included. The described part cannot be ordered separately.

Continued on next page

Basic recorder components without options

Figure 7-3 is an exploded view of the Basic Recorder components without options.

• Table 7-3 is a list of the associated part numbers.

Figure 7-3 Basic Recorder Components without Options

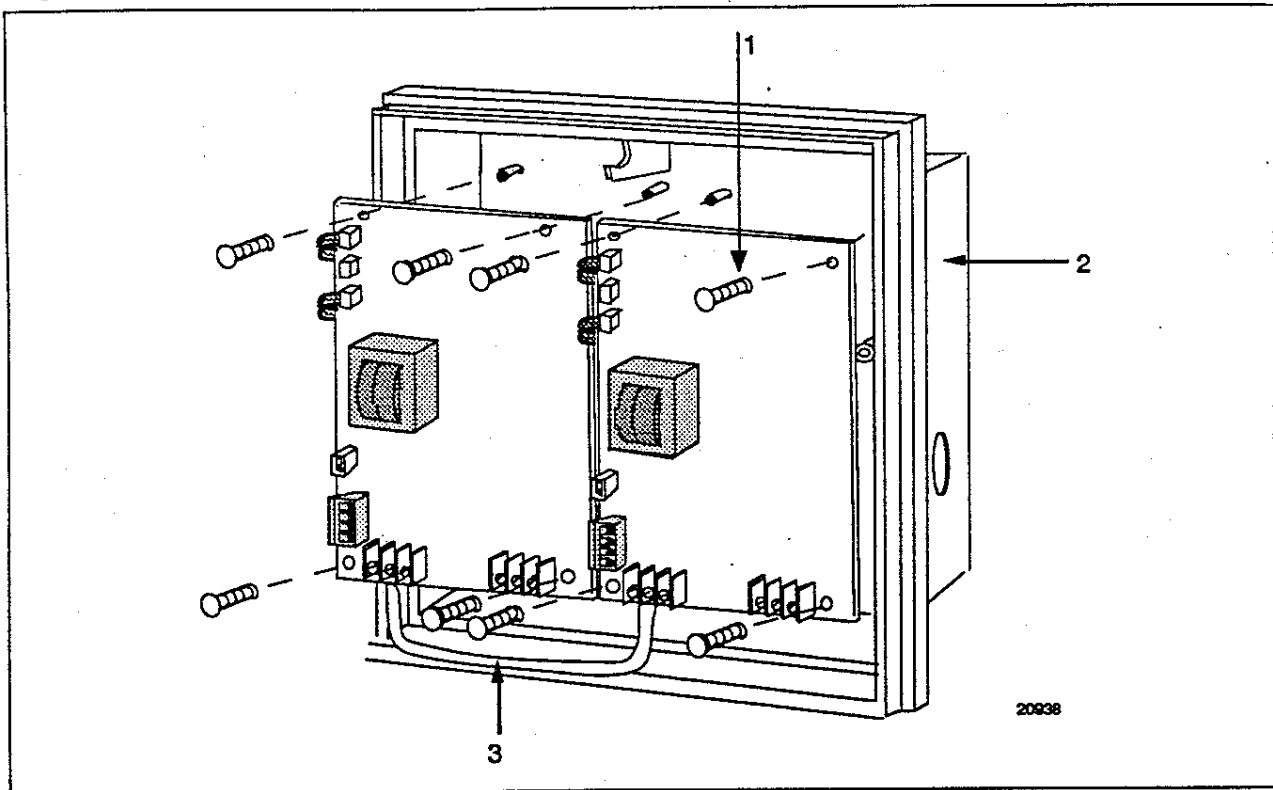


Table 7-3 Basic Recorder Parts Without Options

Key	Part Number	Description	Recommended Spare Parts Per		Quantity per Unit
			10	100	
1	30755804-501 51309333-501	Main Printed Circuit Board Main printed Circuit Board (CE Mark)	1	3	1/2
2	30755800-501 30755800-502	Case Case (CE Mark)	1	3	1
3	30757235-001 51197653-001	Cable Replacement kit Cable Replacement kit (CE Mark)—includes connectors	1	3	1
Parts Not Shown					
	51197612-502	Round cable suppression cores (CE Mark), package of 2	1	3	up to 3
	51197612-508	Round cable suppression cores (CE Mark), package of 8	1	1	1

Continued on next page

Additional recorder components associated with options

Figure 7-4 is an exploded view of the Recorder components associated with options.

- Table 7-4 is a list of the associated part numbers.

Figure 7-4 Recorder Components Associated With Options

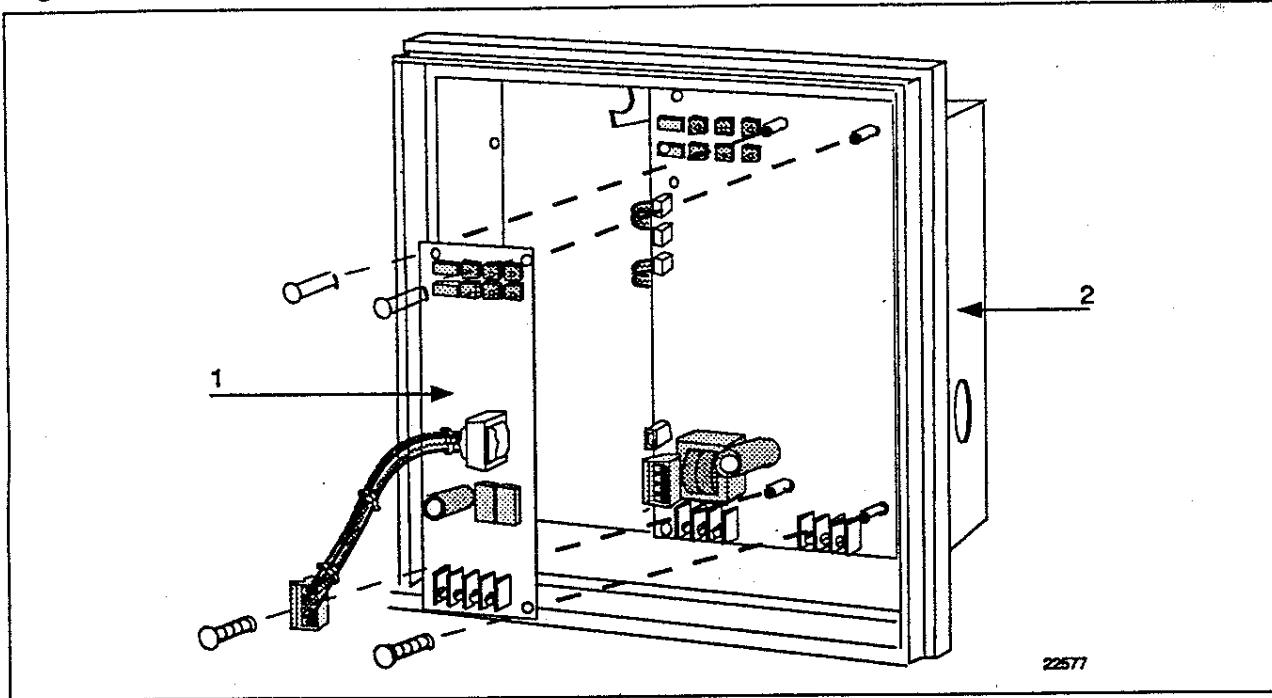


Table 7-4 Recorder Parts Associated With Options

Key	Part Number	Description	Recommended Spare Parts Per		Quantity per Unit
			10	100	
1	30755808-501	Output Printed Circuit Board (includes manual reset switch assembly and four standoffs) – One relay – Two relays – FM approved Limit Control Relay	1	5	1/2
	30755808-502				1
	30755808-504				1
	(K) 30755980-003	Four-position connector			1

(K) denotes that the part number is for the parts kit in which the described part is included. The described part cannot be ordered separately.