

15. EXTERNAL WIRING DIAGRAMS

External terminal layout

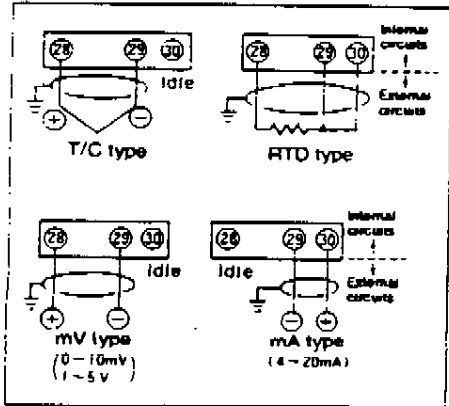
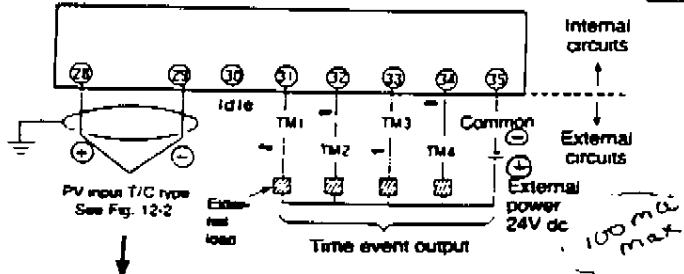
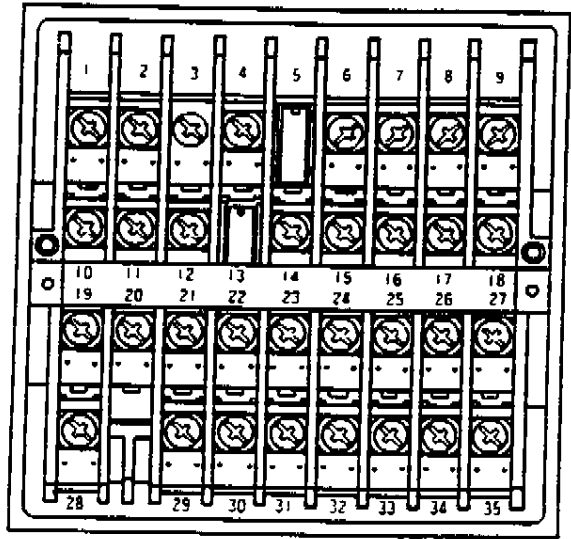
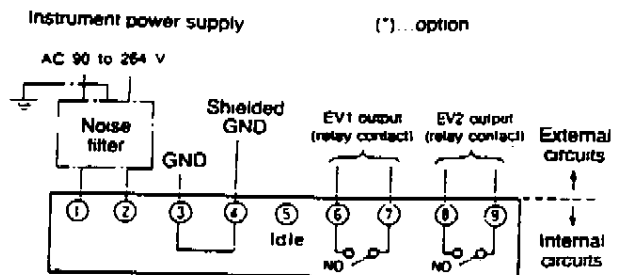


Fig. 15-2 PV input

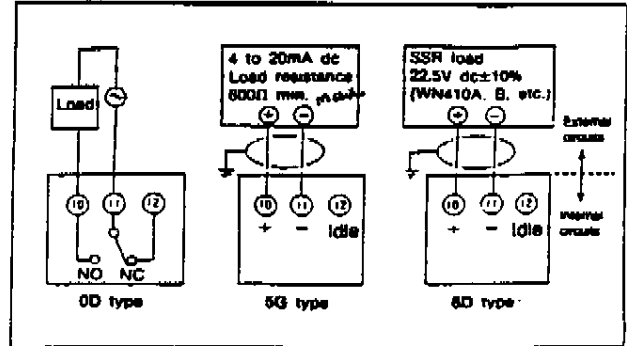
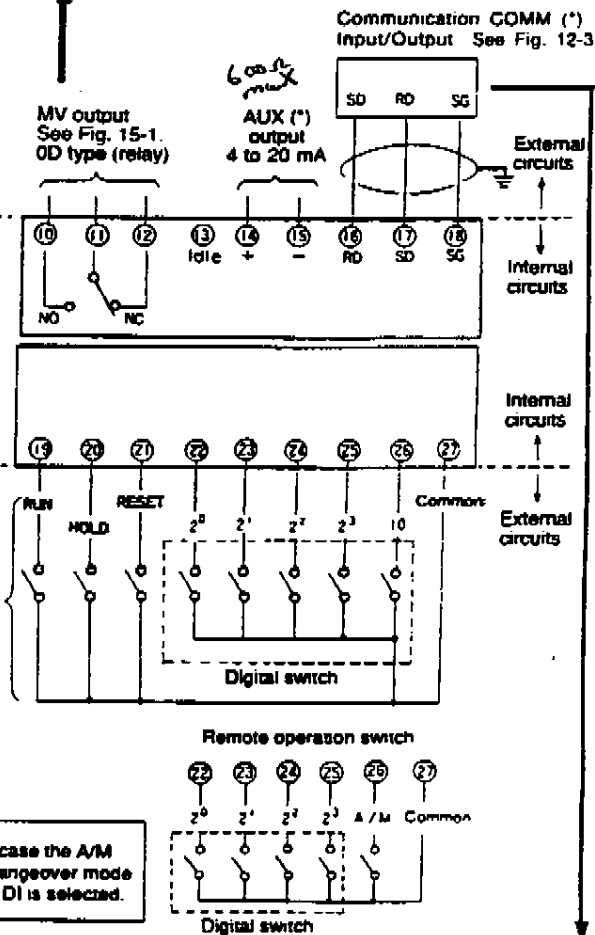


Fig. 15-1 MV output



In case the A/M changeover mode by DI is selected.

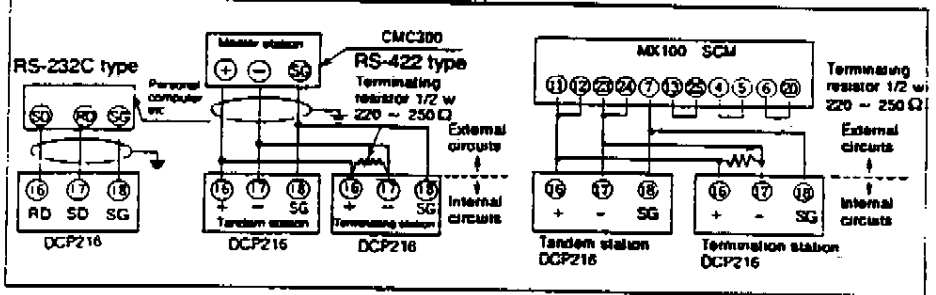


Fig. 15-3 COMM input/output (*)