
**SOFTWARE UPDATING PROCEDURE
USING KIT 46182862-5AX/5BX,
46182728-501 or 46182731-511**

1. Isolate the recorder from main power. Remove the 4 screws securing the terminal cover plate at the rear of the recorder. See Figure 1-1.

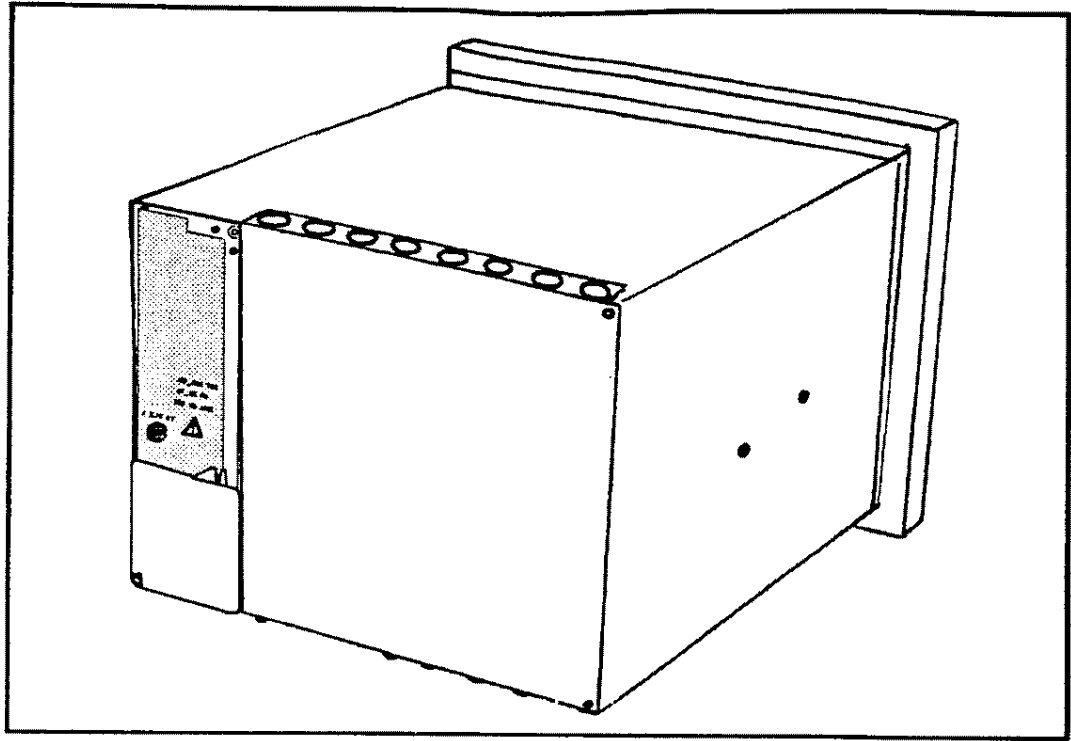


Figure 1-1 Rear of the recorder showing terminal cover

2. Remove all the terminal blocks of the upper boards (or the blanking covers if the boards do not exist).

3. Disconnect and remove all the upper boards.

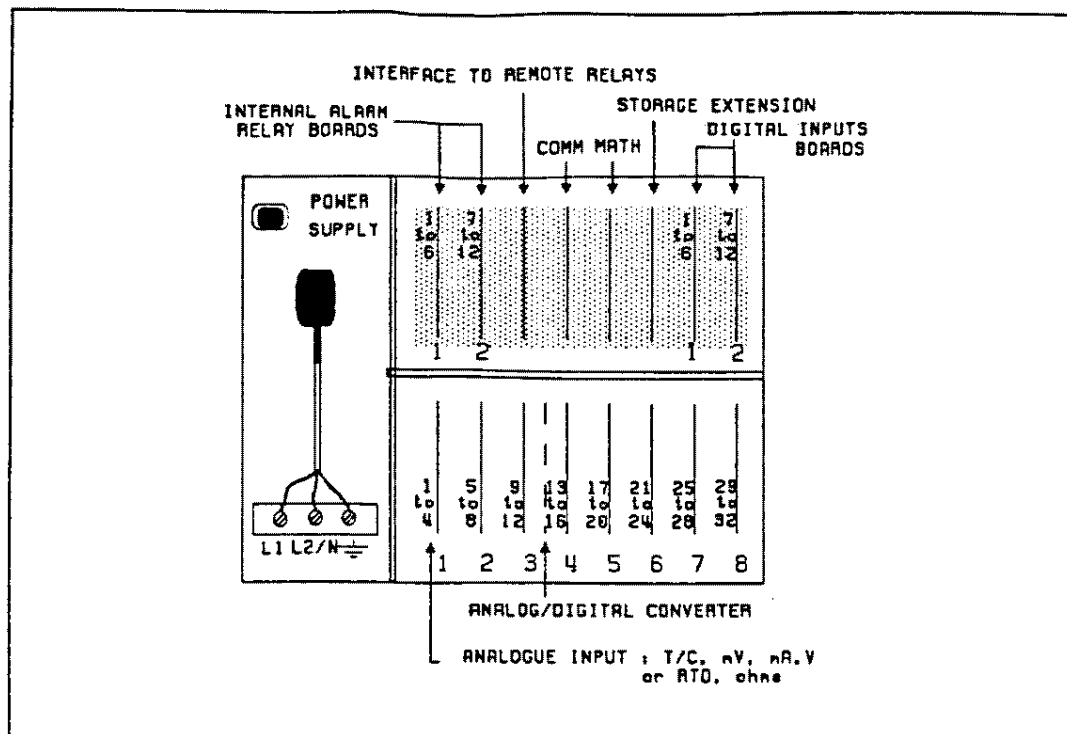


Figure 1-2. Locating the upper boards

4. Use the EPROM extractor include in the kit, to remove the first EPROM component marked 001-"XX" and insert in place of it, the new issue component marked 001-"YY". (Where "XX" and "YY" are the issue references between "AA" and "ZZ"). Refer to figure 1-3 for recorders which date code is antecedent to 9039 and 1-4 for other units.
5. Proceed as described above for the two other components.

WARNING : Do not remove more than one component at the same time. Make sure that all the Eprom's pins are correctly inserted in the socket.

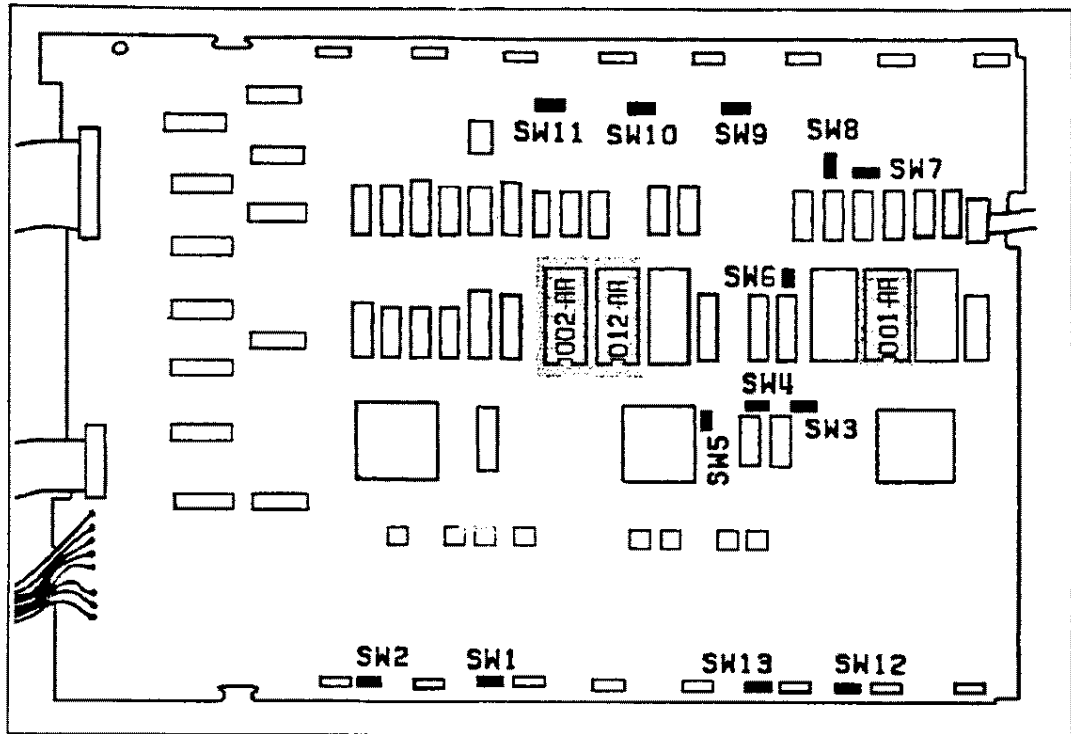


Figure 1-3 Locating the EPROM components (before 9039)

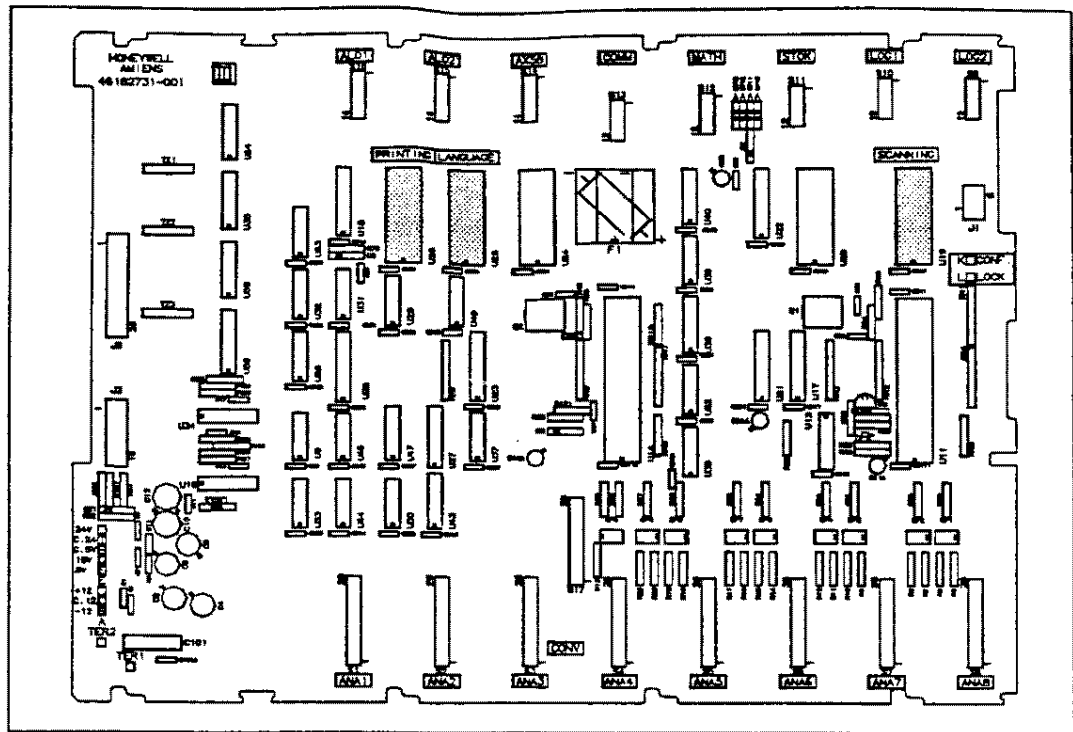


Figure 1-4 Locating the EPROM components (after 9039)

Reconnect all the upper boards, terminal blocks and terminal cover.

WARNING:

1. Softwares "AX" can be used ONLY on mother boards issue II (before 9039: see figure 1-3).
Softwares "BX" can be used as well on mother boards issues II or III (figures 1-3 or 1-4).

2. For mother boards issue II (figure 1-3)

Position:	Install EPROM:
002AA	08-002AXpr or 08-002BXpr
012AA	08-012AXlg or 08-012BXlg
001AA	08-001AXsc or 08-001BXsc

3. For mother boards issue III (figure 1-4)

Position:	Install EPROM:
PRINTING	08-002BXpr
LANGUAGE	08-012BXlg
SCANNING	08-001BXsc

6. Use a small screwdriver to unclip the front face and remove it.

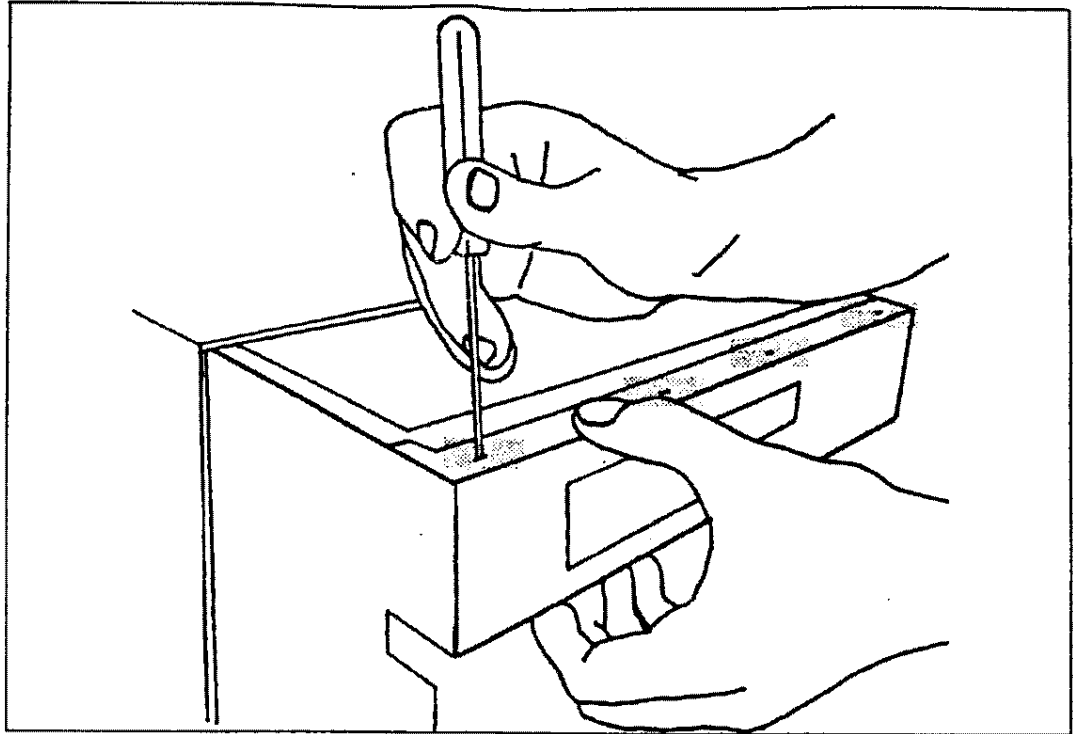


Figure 1-5 Removing the front face

and then, see point 7.a if your kit number is 46182862-5AX (for recorders on which date code is lower than 9042), and point 7.b if your kit number is 46182862-5BX (for recorders on which date code is greater than 9042 or equal), or 46182731-511.

7.

- a. With the EPROM extractor disconnect the EPROM component marked 003-"XX" and insert in place of it, the new issue component 003-"YY" (where "XX" and "YY" are the issue references between "AA" and "AF"). See figure 1-6.

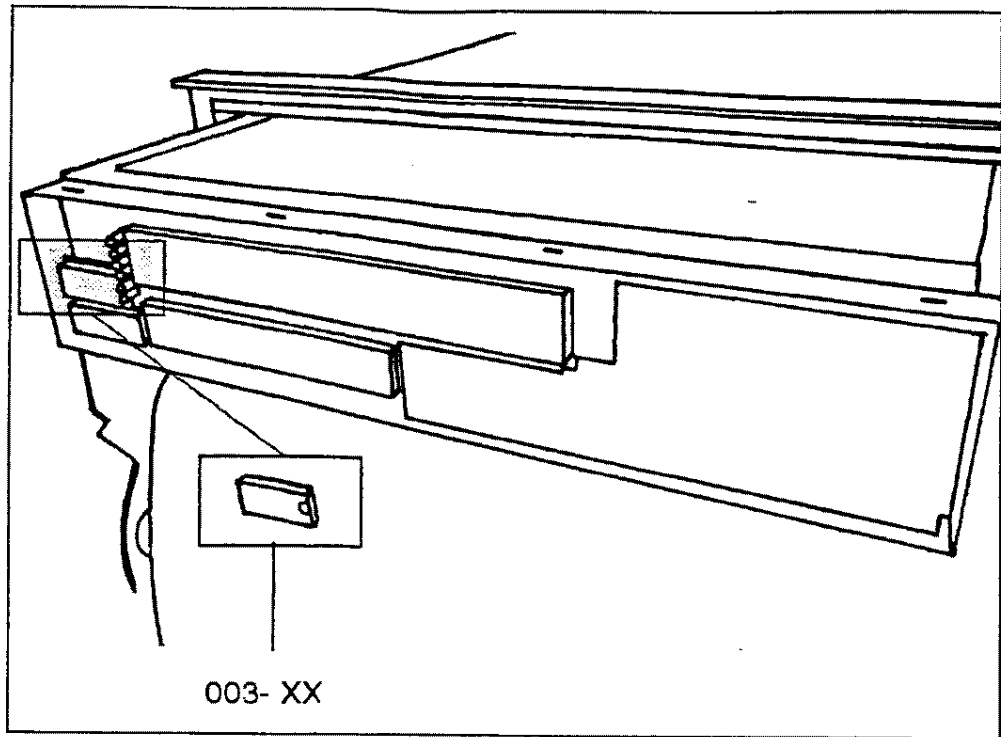


Figure 1-6 Locating the EPROM component (kit number 46182862-5AX)

WARNING:

Softwares "BX" cannot be used with MMI issue II (before 9042). In case of changing the mother board on a recorder from previous date code, it is mandatory, in order to allow software upgrade, to change also the MMI.

- b. With the EPROM extractor, disconnect the EPROM component marked 003-"XX" and insert in place of it, the new issue component 003-"YY" (where "XX" and "YY" are the issue references between "BA" and "ZZ"). See figure 1-7

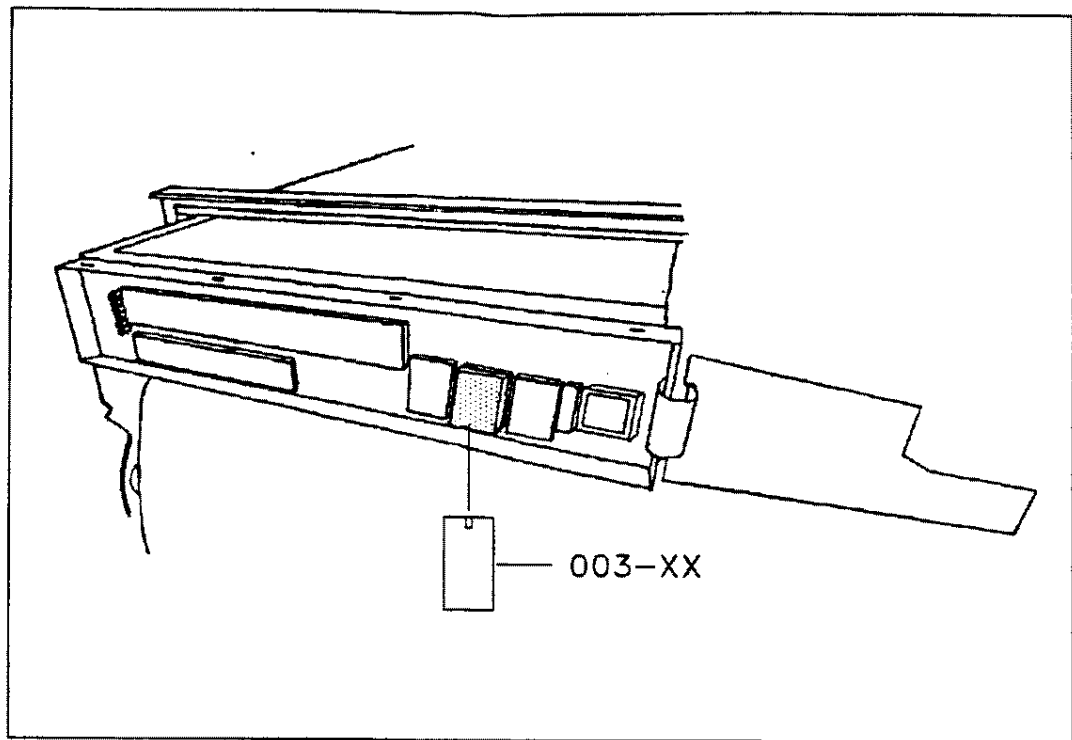


Figure 1-7 Locating the EPROM component (kit number 46182862-5BX)

8. Replace the front face and reconnect the upper boards, restore the power supply.

IMPORTANT :

After the initialization test is finished, go to configuration mode, refer to chapter 3, CONFIGURATION, and change the prompts language configuration (i.e. English --> French) in the MISCELLANEOUS submatrix. Return to the initial language to update the set of prompts.

WARNING:

Softwares "AX" cannot be used with MMI issue III (date code 9042 or later). In case of changing the MMI equipped with last "BX" software, it is mandatory to change also the software on mother board with Eproms inside the kit 46182728-501 (see pages 1-3 and 1-4).