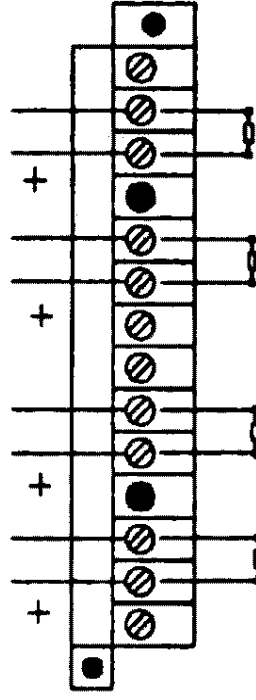
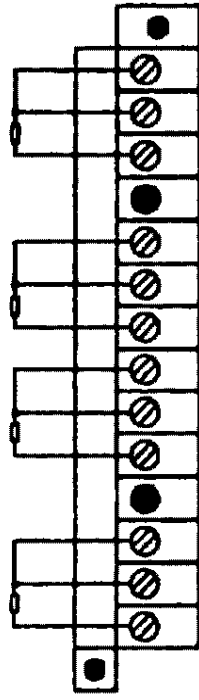
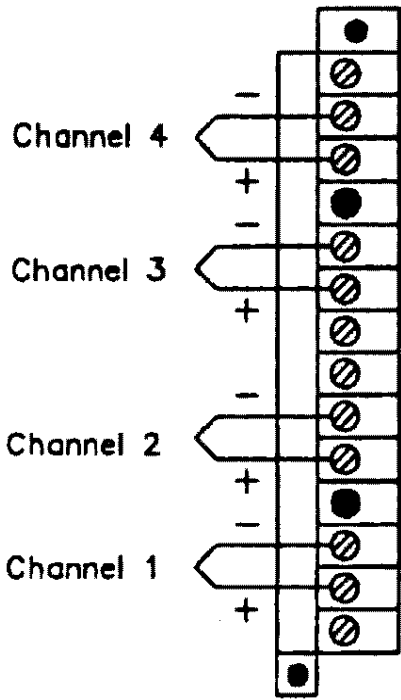


THERMOCOUPLE

RTD

mA

V and mV



PRECISION RESISTOR 250 Ohm 0.1 %

