

SX 1650 Recorder Wiring Diagram

NOTES:

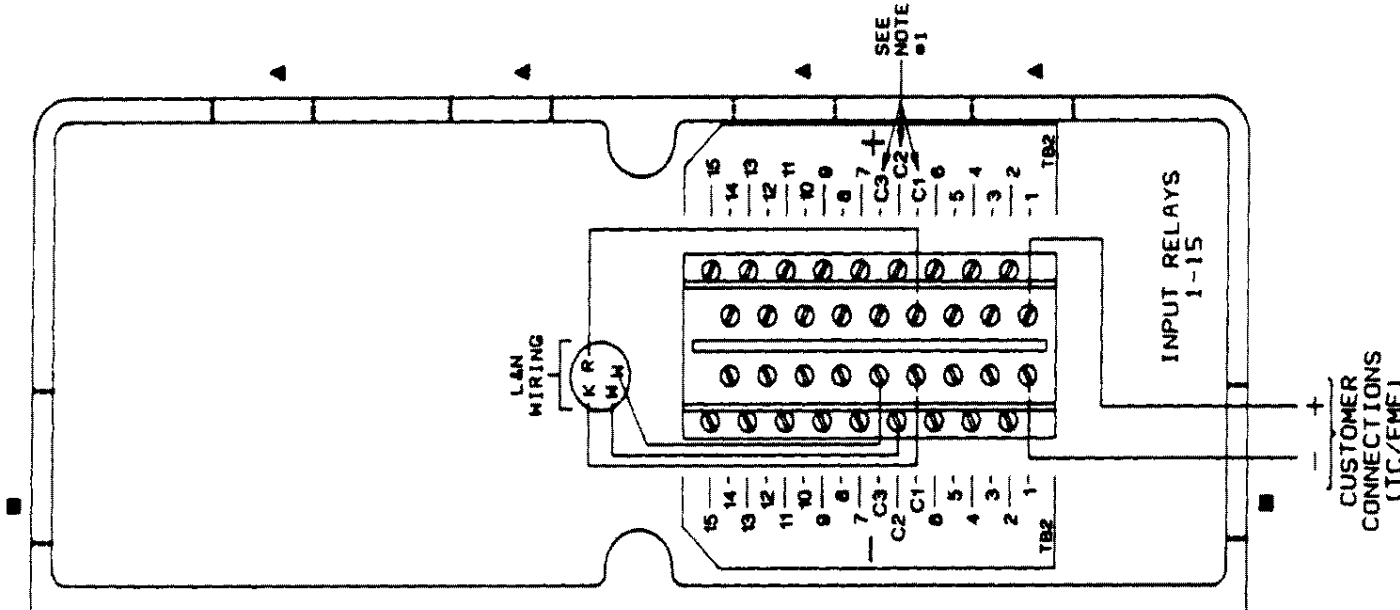
1. NOT FOR CUSTOMER CONNECTION. INTERNAL WIRING BY LAN. (TERMINALS C1, C2 & C3 (+) & (-)).
2. L2 SIDE OF LINE SHOULD BE GROUNDED. IF LINE SUPPLY CANNOT BE GROUNDED, ADD ISOLATING TRANSFORMER AND GROUND L2 TERMINAL.
3. CUSTOMER WIRES PER TERMINAL:
 - a. SINGLE CONDUCTOR (SOLID OR STRANDED) #14 GAGE OR SMALLER.
 - b. DOUBLE CONDUCTOR, #18 GAGE OR SMALLER.
4. SCREWS MUST BE TIGHTENED SECURELY. TORQUE MUST NOT EXCEED 60 OZ.-INCHES.
5. ▲ INDICATES 27/32" CONDUIT HOLE. ■ INDICATES 1/8" CONDUIT HOLE.
6. K1 & K2 FUNCTION WHEN ALARM OPTION IS PRESENT. SEE DIRECTION BOOK.
7. TO ACTUATE PRINT HOLD (TB4-4), REMOVE CHART (TB1-11) OR ALARM RESET (TB1-14) CONNECT APPROPRIATE TERMINAL TO COMMON (TB1-8 OR TB1-12).

CAUTION

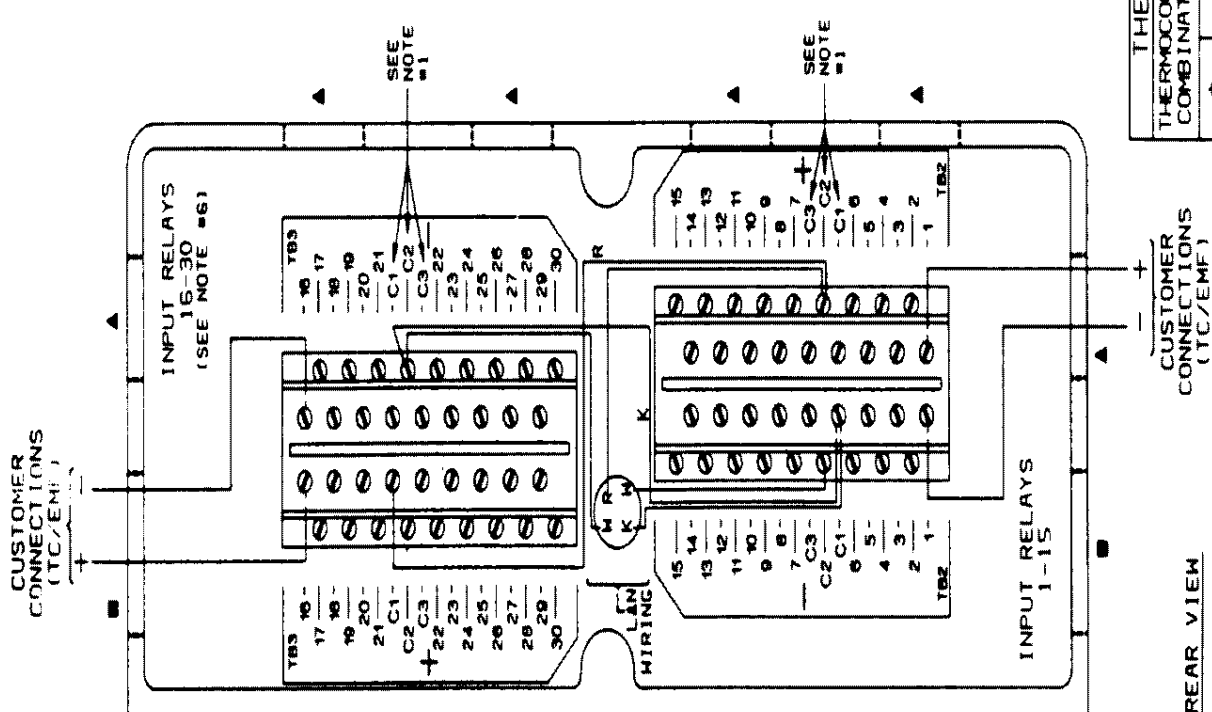
SWITCH S1 MUST BE IN PROPER POSITION "115" OR "230" BEFORE APPLYING AC POWER TO RECORDER.

THERMOCOUPLE EXTENSION WIRE TABLE				INTERNAL OF INSTRUMENT
THERMOCOUPLE COMBINATION	EXTERNAL TO INSTRUMENT		SINGLE COND	COPPER WIRES
	DUPLX	OVER ALL		
+ COPPER CONST.	+ COPPER CONST.	OVER ALL	+	COPPER WIRES
TYPE 1	TYPE 1	B	+	
TYPE 2	TYPE 2	K	+	
TYPE 3	TYPE 3	N	+	
TYPE 4	TYPE 4	Y	+	
TYPE 5	TYPE 5	R	+	
TYPE 6	TYPE 6	G	+	
TYPE 7	TYPE 7	B	+	
TYPE 8	TYPE 8	K	+	
TYPE 9	TYPE 9	N	+	
TYPE 10	TYPE 10	Y	+	
TYPE 11	TYPE 11	R	+	
TYPE 12	TYPE 12	G	+	
TYPE 13	TYPE 13	B	+	
TYPE 14	TYPE 14	K	+	
TYPE 15	TYPE 15	N	+	
* THERMOCOUPLE WIRE USED AS EXTENSION WIRE				

COLOR CODE	
K-BLACK	Y-YELLOW
N-WHITE	A-GRAY
G-GREEN	V-VIOLET
R-RED	P-PINK
B-BLUE	S-SLATE
N-BROWN	T-TAN
O-ORANGE	



SX 2500 Recorder Wiring Diagram (TC/EMF)



- NOTES:**
- NOT FOR CUSTOMER CONNECTION. INTERNAL WIRING BY L1N. [TERMINALS C1, C2, C3 (+) & (-)].
 - L2 SIDE OF LINE SHOULD BE GROUNDED. IF LINE SUPPLY CANNOT BE GROUNDED, ADD ISOLATING TRANSFORMER AND GROUND L2 TERMINAL.
 - CUSTOMER WIRES PER TERMINAL:
 - SINGLE CONDUCTOR (SOLID OR STRANDED) #14 GAGE OR SMALLER.
 - DOUBLE CONDUCTOR, #18 GAGE OR SMALLER.
 - SCREWS MUST BE TIGHTENED SECURELY. TORQUE MUST NOT EXCEED 60 OZ.-INCHES.
 - ▲ INDICATES 27/32" CONDUIT HOLE.
 - TB3 (INPUT RELAYS-16 TO 30), AND TB4 (ALARM OUTPUT RELAYS-3 TO 12), AND K1 & K2 ARE CUSTOMER OPTIONS. SEE DIRECTION BOOK.
 - TO ACTIVATE PRINT HOLD (TB4-4), REMOVE CHART (TB11) OR ALARM RESET (TB14), & CONNECT APPROPRIATE TERMINAL TO COMMON (TB1-8 OR TB1-12).

CAUTION

SWITCH S1 MUST BE IN "230" PROPER POSITION "115" OR "230" BEFORE APPLYING AC POWER TO RECORDER.

THERMOCOUPLE EXTENSION WIRE TABLE			
THERMOCOUPLE COMBINATION	EXTERNAL TO INSTRUMENT		INTERNAL OF INSTRUMENT
	DUPLX	SINGLE COND	
COOPER CONST. TYPE Y	COOPER CONST. TYPE Y	COOPER CONST. TYPE Y	COPPER WIRES
COOPER CONST. TYPE E	COOPER CONST. TYPE E	COOPER CONST. TYPE E	
CHARVEL CONST. TYPE K	CHARVEL CONST. TYPE K	CHARVEL CONST. TYPE K	
CHARVEL CONST. TYPE J	CHARVEL CONST. TYPE J	CHARVEL CONST. TYPE J	
PLANT. TYPE S OR R	PLANT. TYPE S OR R	PLANT. TYPE S OR R	
COOPER CONST. TYPE K	COOPER CONST. TYPE K	COOPER CONST. TYPE K	
COOPER CONST. TYPE J	COOPER CONST. TYPE J	COOPER CONST. TYPE J	
COOPER CONST. TYPE E	COOPER CONST. TYPE E	COOPER CONST. TYPE E	
COOPER CONST. TYPE Y	COOPER CONST. TYPE Y	COOPER CONST. TYPE Y	
COOPER CONST. TYPE K	COOPER CONST. TYPE K	COOPER CONST. TYPE K	

COLOR	CODE
K	BLACK
Y	YELLOW
A	GRAY
W	WHITE
G	GREEN
V	VIOLET
R	RED
P	PINK
B	BLUE
S	SLATE
N	BROWN
T	TAN
O	ORANGE

