

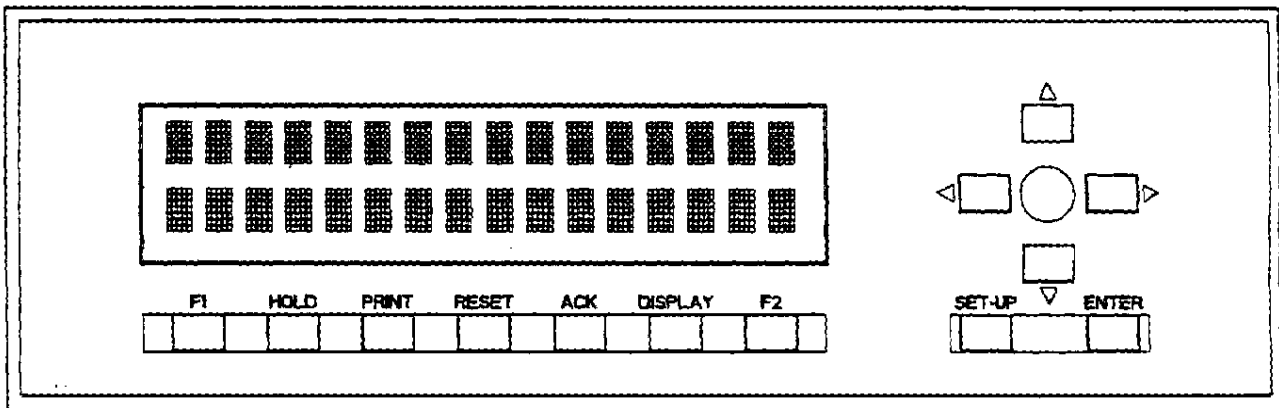
DPR 180 Configuration Parameters

OPERATOR INTERFACE EXPLANATION

This section describes the various actions which an operator can initiate through the keyboard, and explains how to interpret the displays in the different modes of operation available.

OPERATOR INTERFACE

DISPLAY AND KEYPAD: The display gives a clear indication of action prompts by means of two lines of 16 characters and the keypad consists of 13 keys.

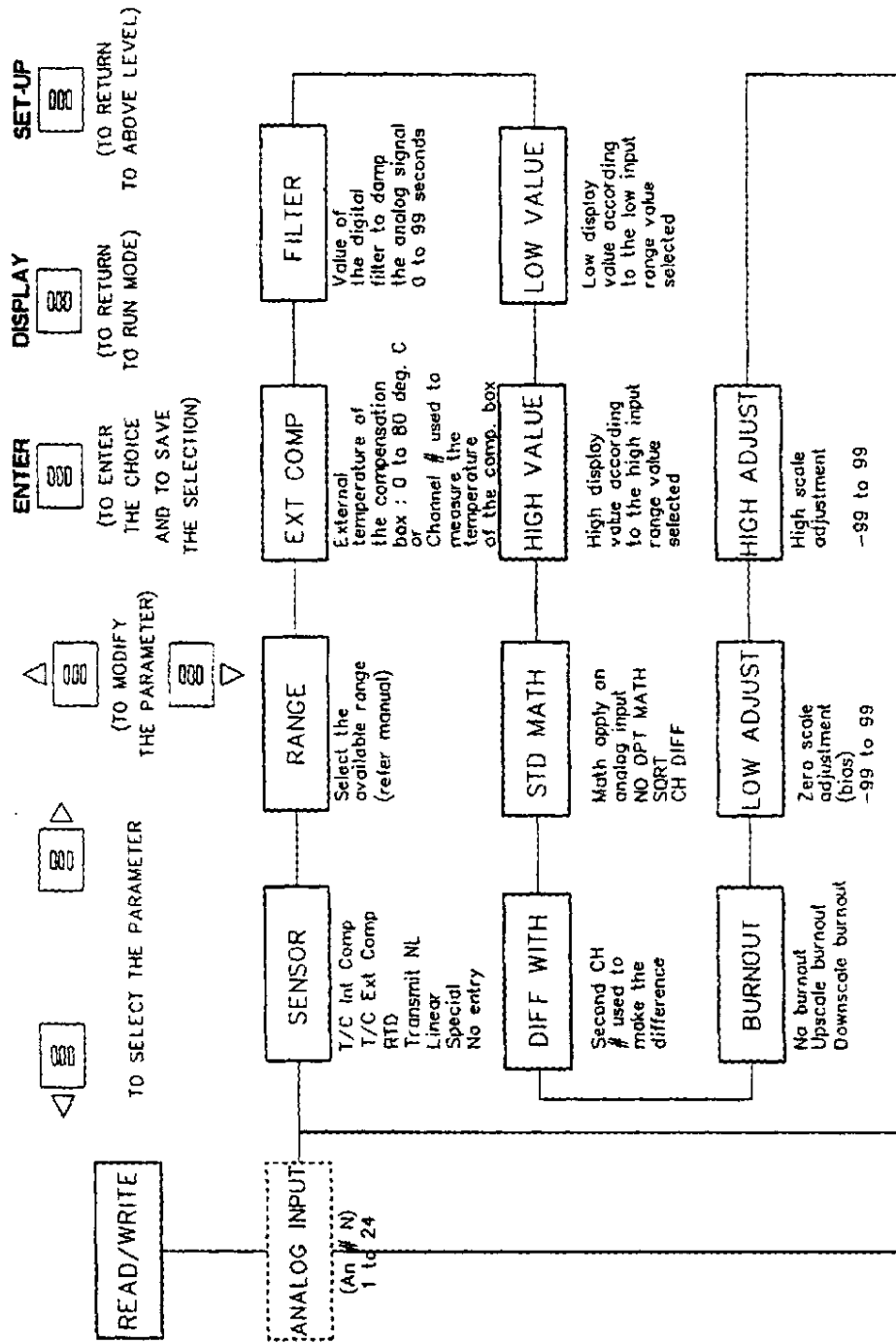


- **SET UP:** To move to configuration mode or to return from parameter configuration to the sub-matrix.
- **ENTER:** To confirm your selected action.
- : THESE KEYS ARE USED FOR PRODUCT CONFIGURATION.

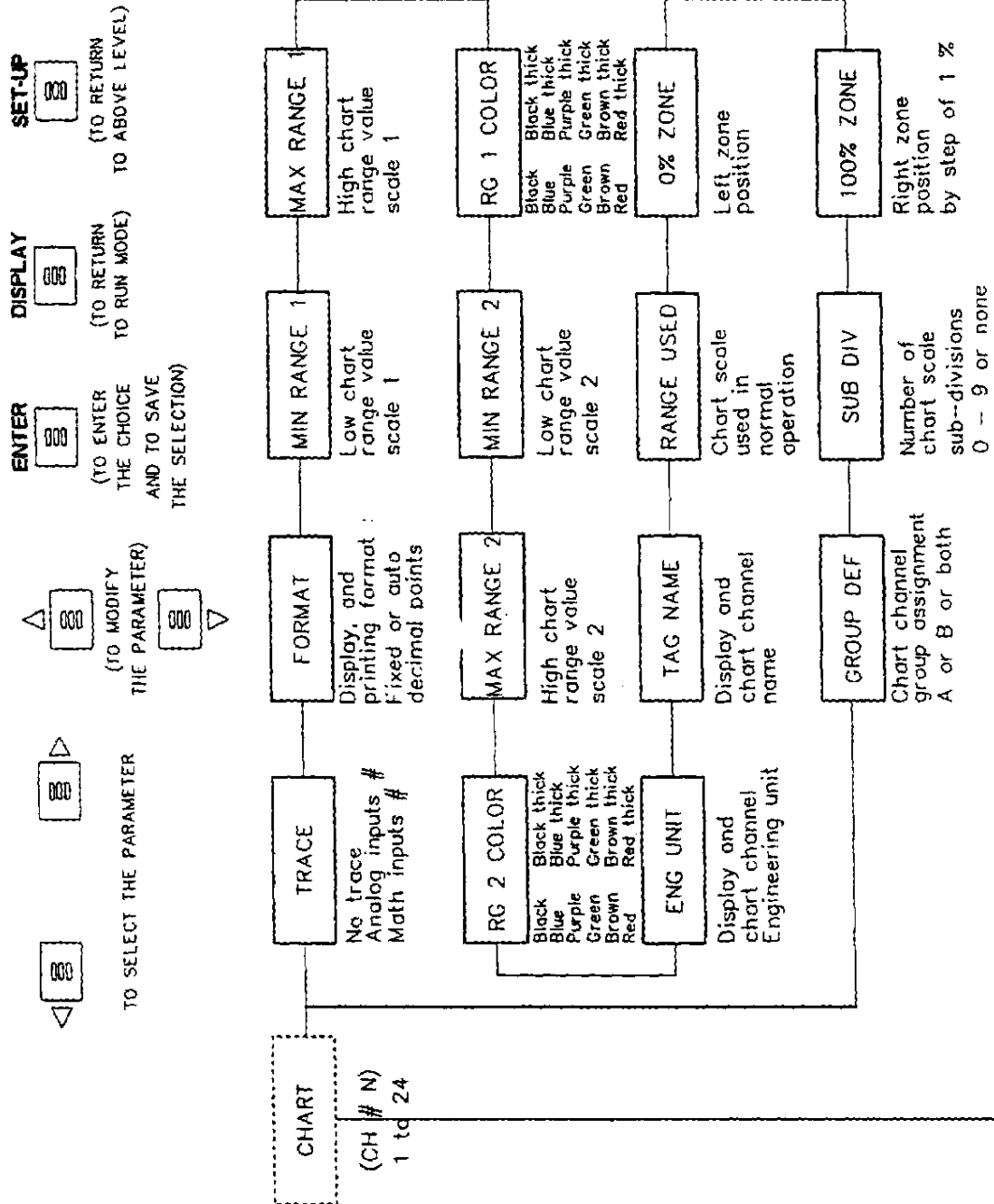
FUNCTION KEYS						
F1	HOLD	PRINT	RESET	ACK	DISPLAY	F2
Immediate action key configurable	To hold the display on a current channel. Use and keys to change the channel.	To choose an immediate printing action. The choices are: - Inhibit/Printing - Reset paper length - Change speed/int 2 to speed/int 1 - Print date & time - Snap shot trace - Chart advance - Change group B to A - Change group A+B to B - Snap shot logic - Snap shot math	- Math - Occurrence	To acknowledge all latching alarm relays	To choose the display type in run mode or to escape from configuration to run mode	Immediate action key configurable

NOTE: The function keys are used in run mode and they control the contents of the display and other functions. In case of a power cut the configuration is unchanged.

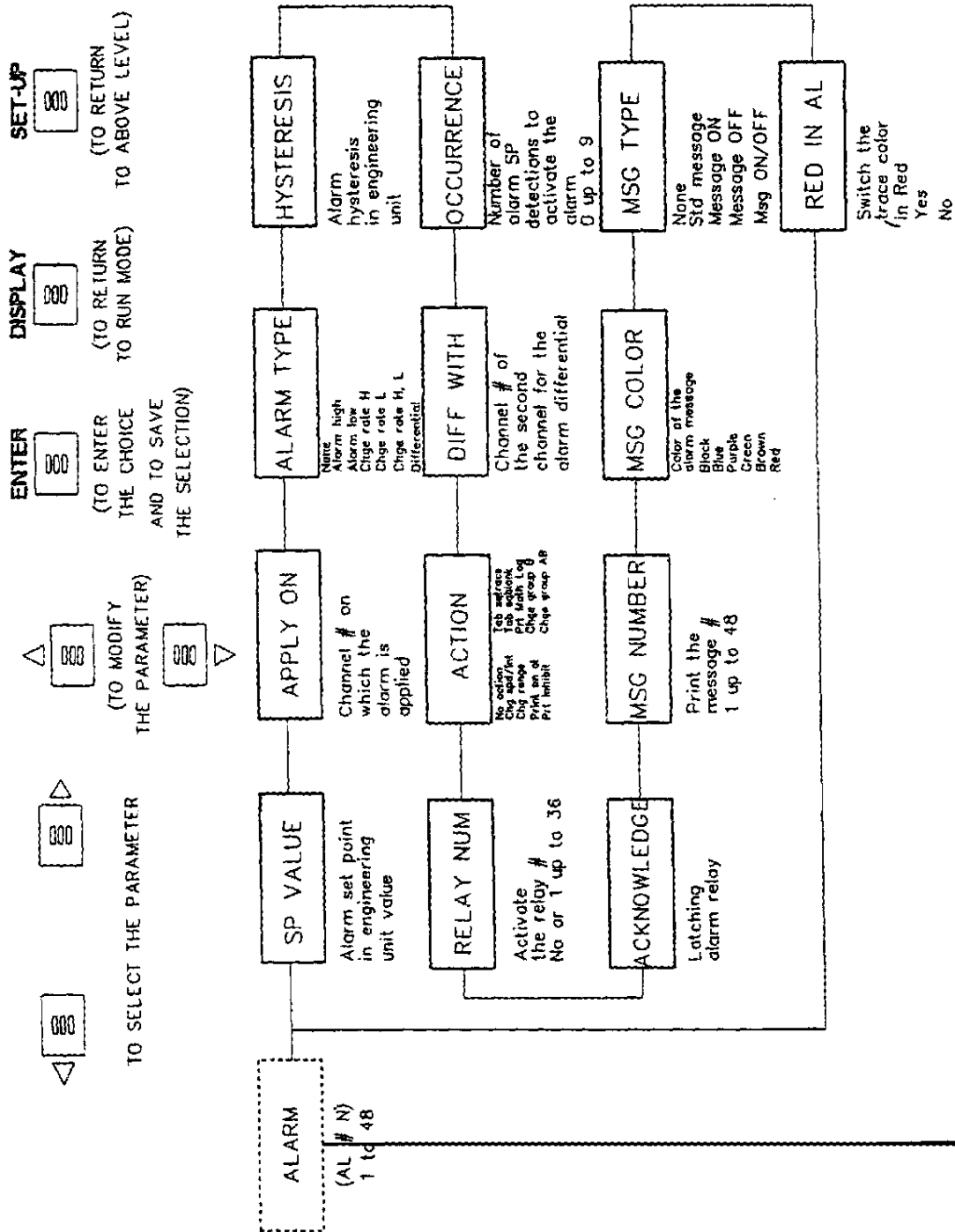
CONFIGURATION



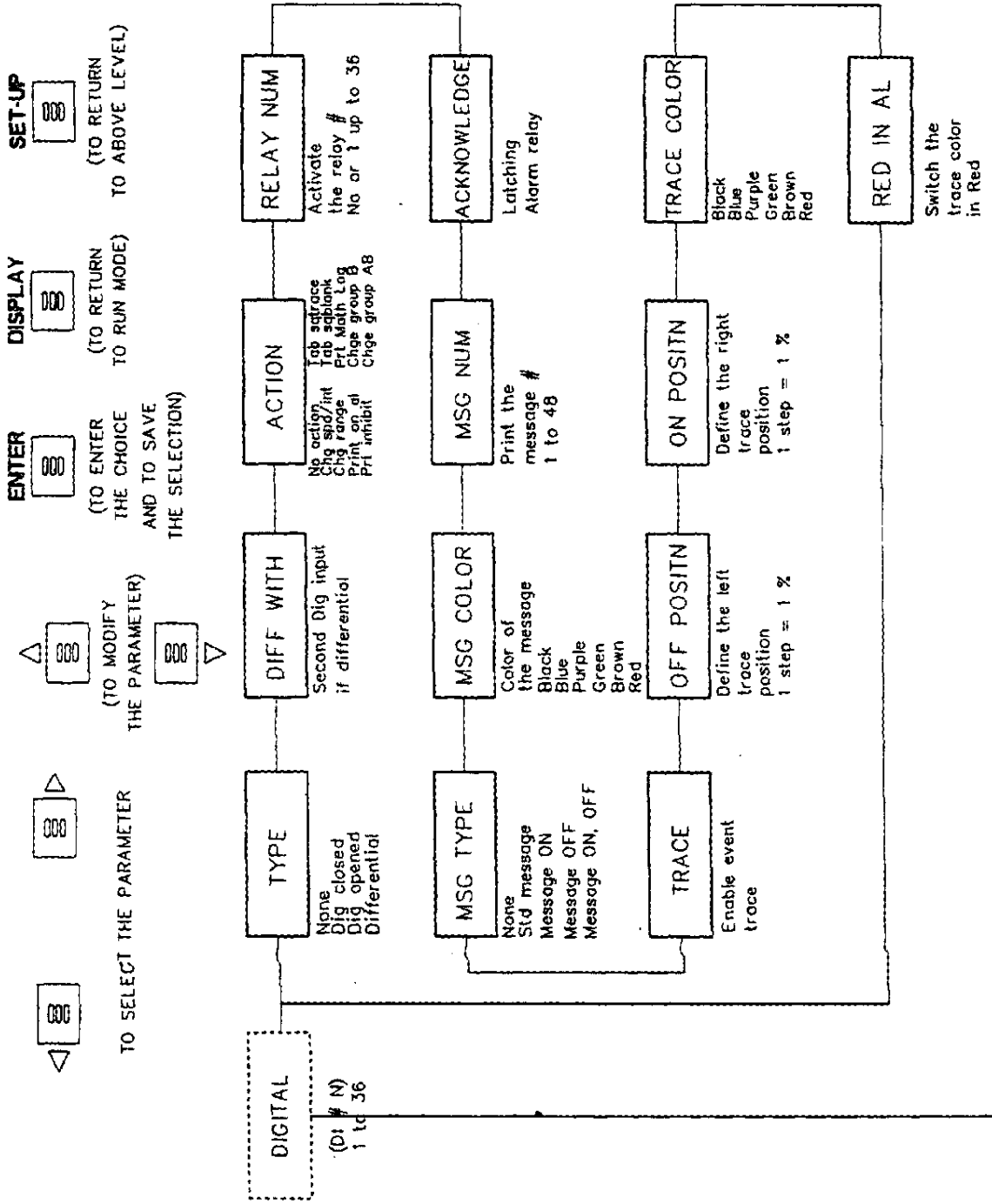
CONFIGURATION




CONFIGURATION




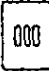
CONFIGURATION





CONFIGURATION

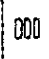

SET-UP  (TO RETURN TO ABOVE LEVEL)

DISPLAY  (TO RETURN TO RUN MODE)

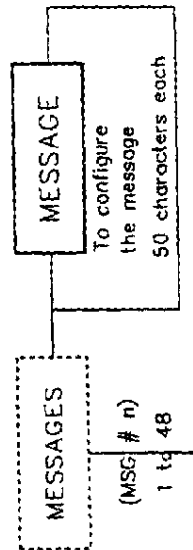
ENTER  (TO ENTER THE CHOICE AND TO SAVE THE SELECTION)

 (TO MODIFY THE PARAMETER) 

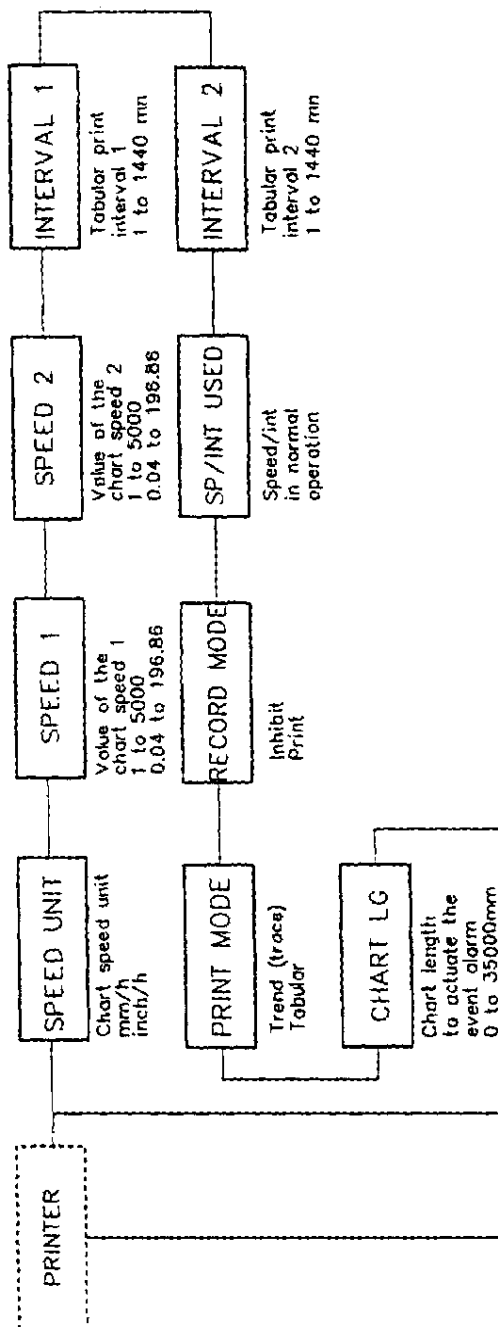
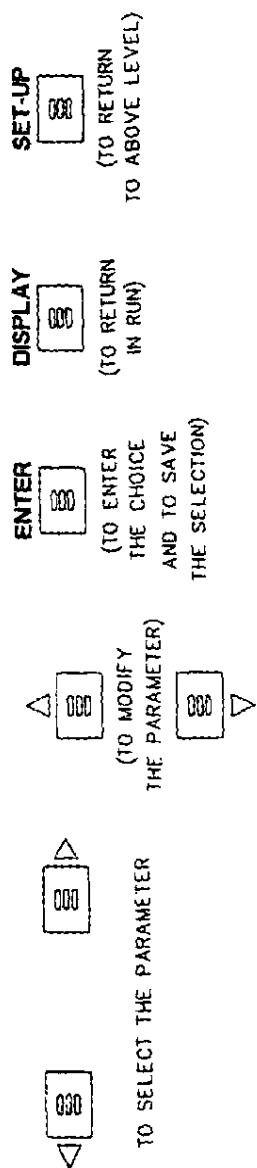
 

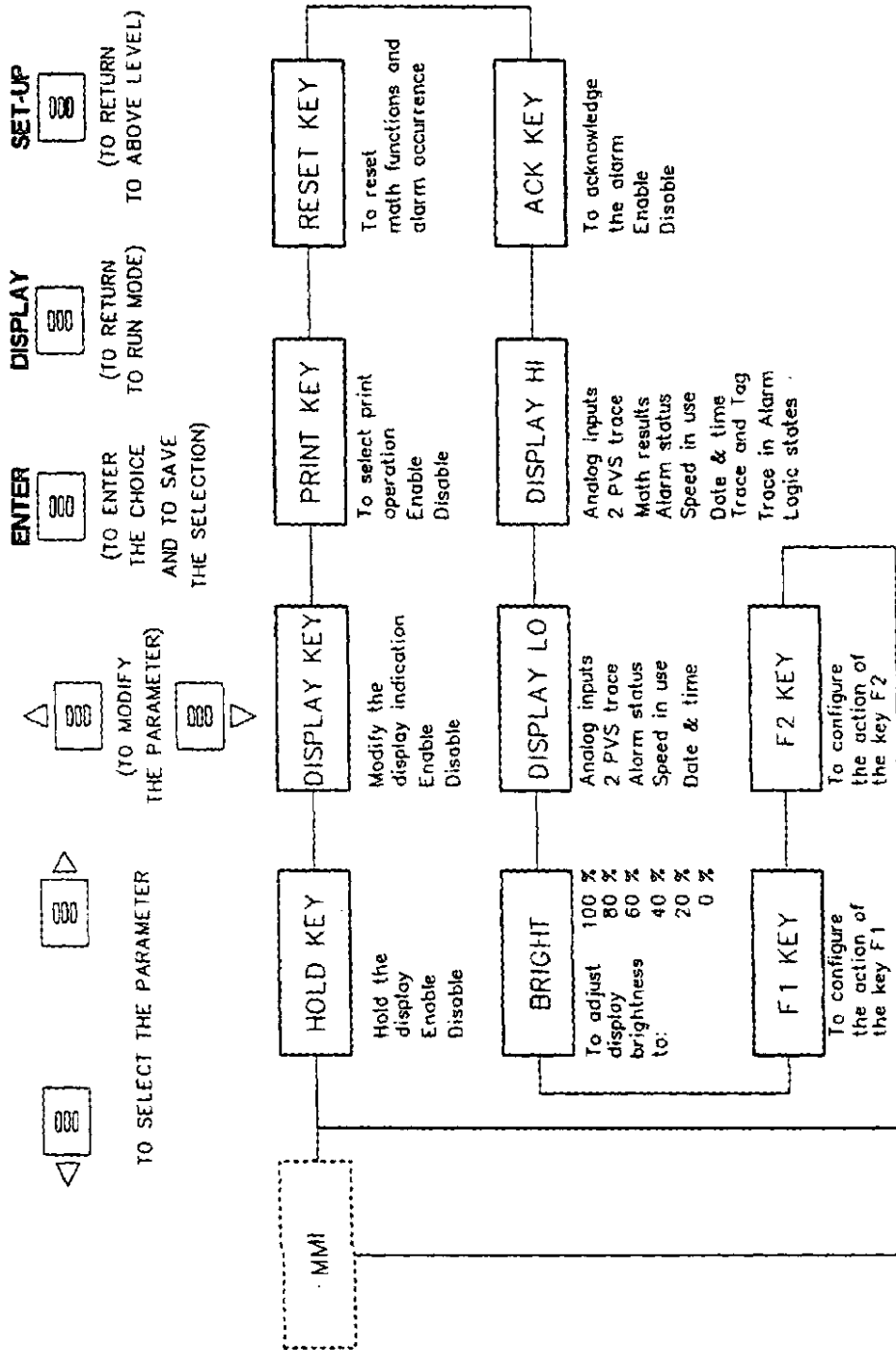
TO SELECT THE PARAMETER



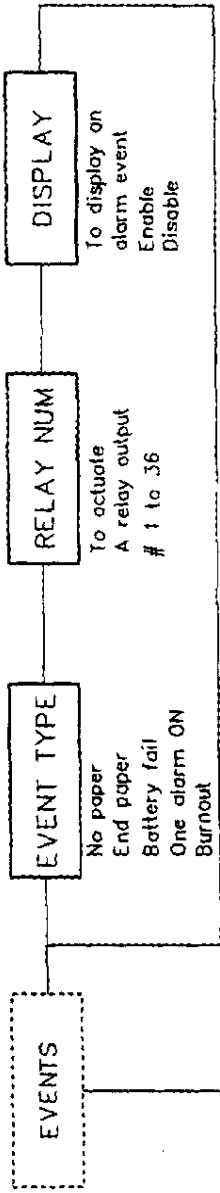
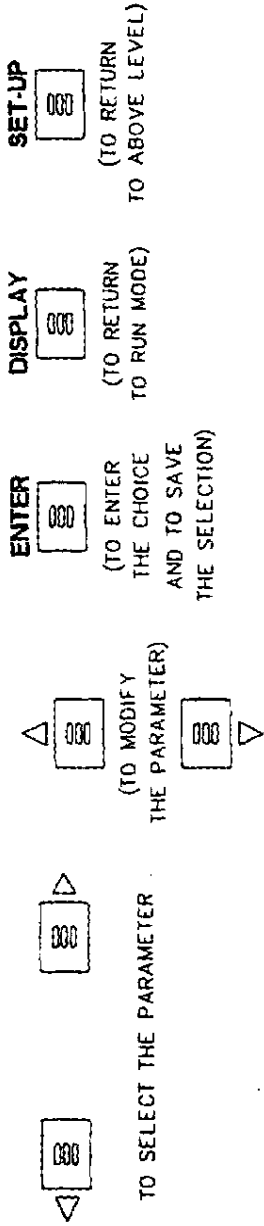
CONFIGURATION



CONFIGURATION



CONFIGURATION



CONFIGURATION

