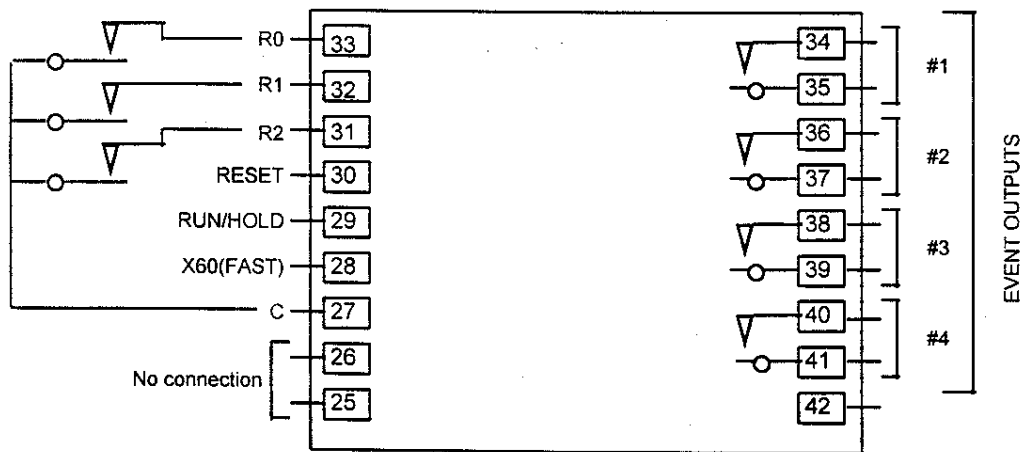
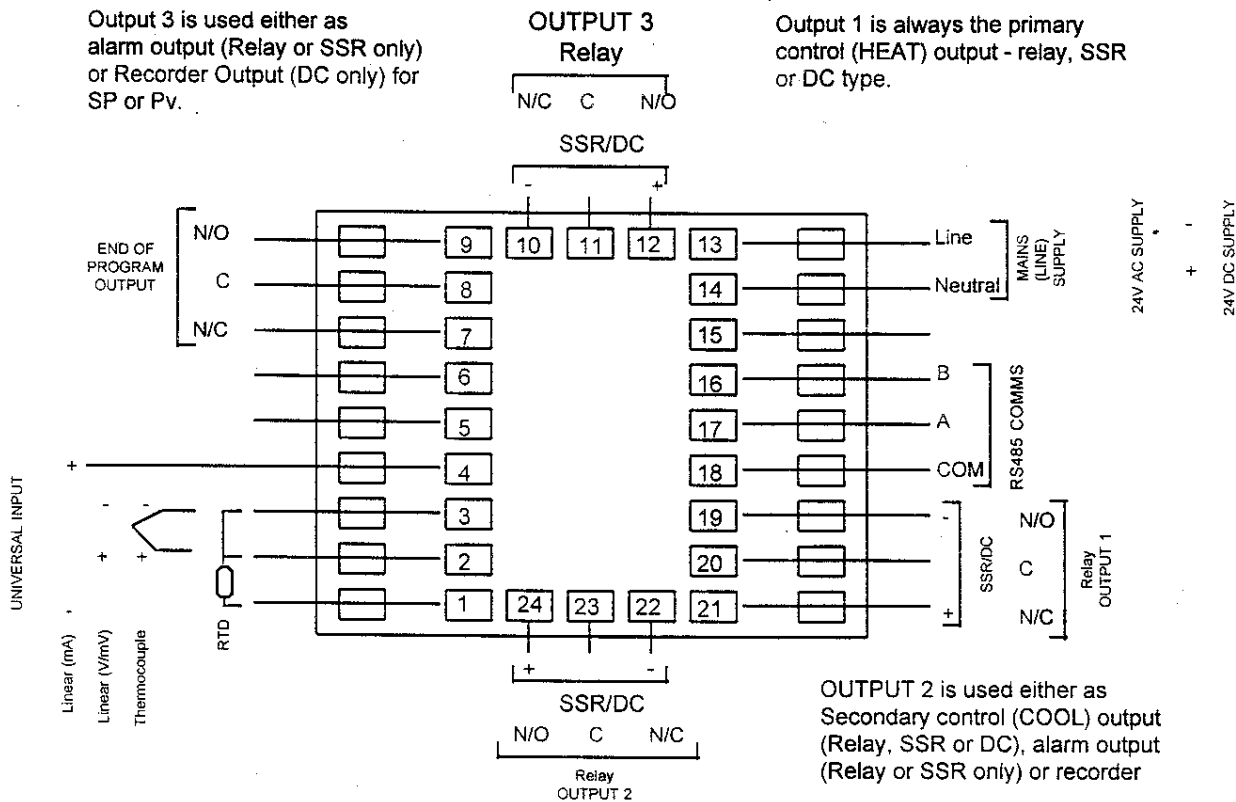


PROGRAMMER/CONTROLLER TERMINALS



Programme (Recipe) Section

X = Switch closed
— = Switch open, or Logic Input (1)

R0	R1	R2	PR0G
X	X	X	1
—	X	X	2
X	—	X	3
—	—	X	4
X	X	—	5
—	X	—	6
X	—	—	7
—	—	—	8