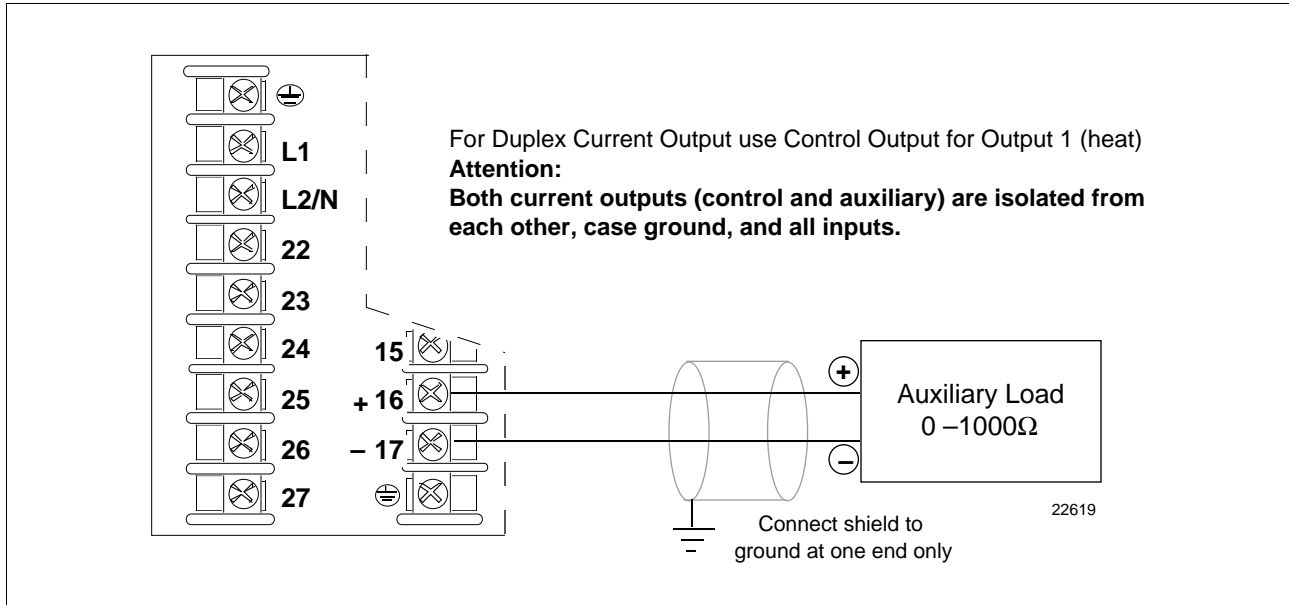


2.5 Wiring Diagrams, Continued

Auxiliary output connections

Figure 2-15 shows the wiring connections for the Auxiliary Output option (Model DC330X-XX-2XX).

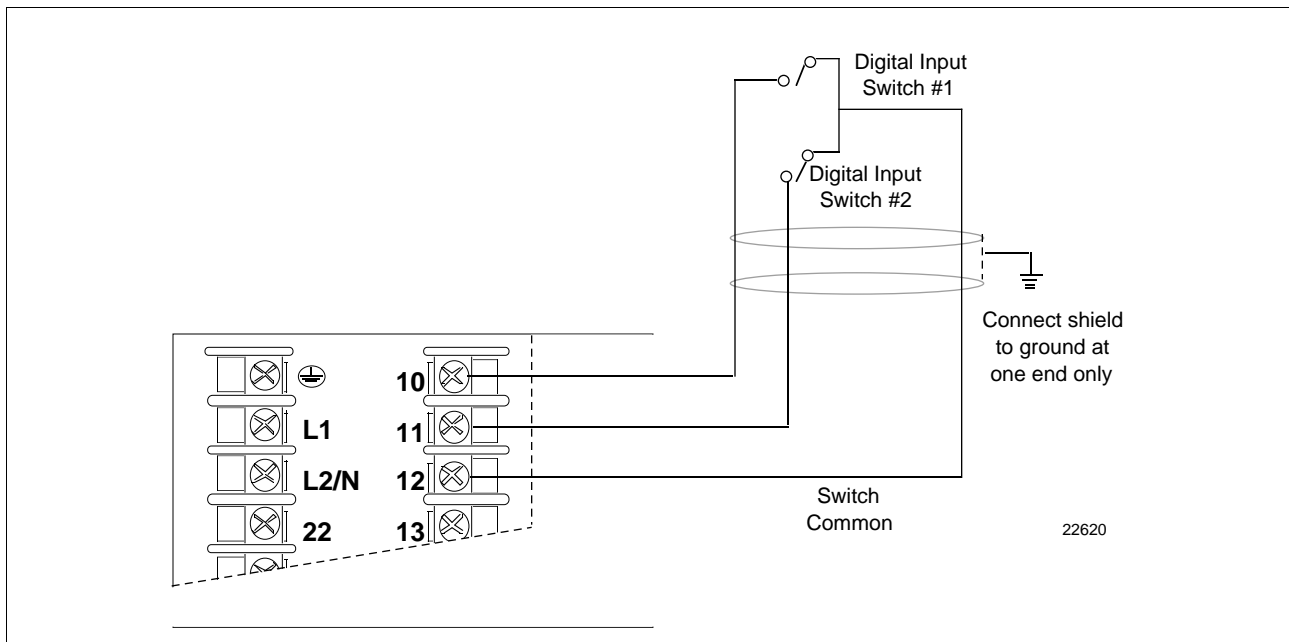
Figure 2-15 Auxiliary Output Connections—Model DC330X-XX-2XX



Digital inputs connections

Figure 2-16 shows the wiring connections for the Digital Inputs option (Model DC330X-XX-XX3).

Figure 2-16 Digital Inputs Connections—Model DC330X-XX-XX3



Continued on next page