

2.5 Wiring Diagrams, Continued

Transmitter power for 4-20 mA 2-wire transmitter—open collector alarm 2 output

The wiring diagram example shown in Figure 2-19 (**Model DC330X-XT-XXX**) provides 30 Vdc at terminals 5 and 6 with the capability of driving up to 22 mA, as required by the transmitter which is wired in series.

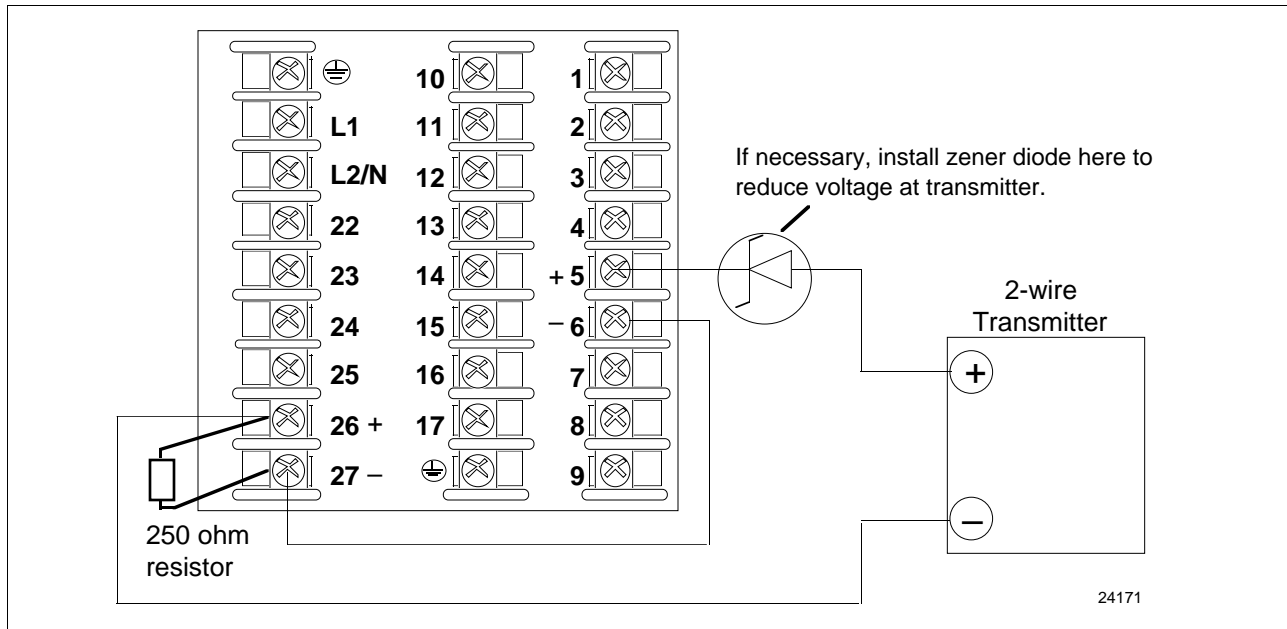
If the transmitter terminal voltage must be limited to less than 30 volts, you can insert a zener diode between the positive transmitter terminal and terminal 5. For example, an IN4733A zener diode will limit the voltage at the transmitter to 25 Vdc.

Configure:

A2S1TYPE = NONE

A2S2TYPE = NONE

Figure 2-19 Transmitter Power for 4-20 mA 2-wire Transmitter Using Open Collector Alarm 2 Output—Model DC330X-XT-XXX



Continued on next page