

## Switching between a Two Local Setpoint with a Digital Input

**Solution:** Specify a UDC 3300 with a Digital Input Option.

*Model # DC330X-XX-XX3-XX-XXXXXXXX-XX-0*

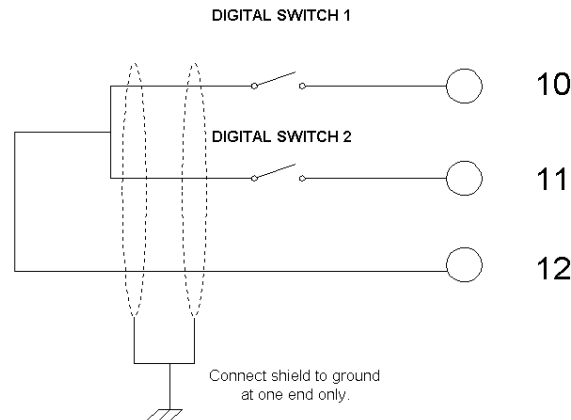
When **DIG IN 1** or **DIG IN 2** is configured for **To LSP**, the UDC will switch from SP to 2SP with a contact or switch closure.

**Configuration:**

Setup Control : **SP Sourc** set to **2 Local**

Setup Option : **DIG IN 1** or **DIG IN 2** is set to **To 2SP**

**Wiring :**



**Operation:**

1. Make sure that the Digital Input Switch is open and Remote SP is not selected.(RSP bar should not be lit.)
2. Set the desired setpoint for both SP's using the Lower Display & arrow keys.
3. With the Digital Input Switch closed, the RSP bar will blink. 2SP will be displayed on the Lower display and will now be the controlling at the 2 Local setpoint.
4. When the Digital Input Switch is re-opened the RSP bar will disappear, and the Local SP will be the controlling setpoint.

**Notes:**

1. If the **Setpoint Select is enabled**, then someone can override the Digital Input by pressing this key. (RSP Indicator always stays on)
  - \* A suggested correction is prior to doing step 3 in the operation section, go to Tuning Group and set the Lockout to None. Press the Function key until **SP SEL** appears in the lower display. Set the Upper Display to **DISABL**. With the Setpoint Select set to disable, the unit can not be switched to Local SP by the keyboard.
2. A **different set of Tuning constants** can be selected when the 2 Local SP is selected.
  - \* If Two sets of Tuning constants are selected under the Control section, then by using the **DIG 1 COM** or **DIG 2 COM** set to **+PID 2** then PID set 2 tuning values will be used when SP2 is selected.