

Model DR 4300 Circular Chart Recorder Replacement Instruction

Digital Input Printed Wiring Assembly (51404566-501)

Document Number Form: 43-DR-33-75
 Effective: 3/98
 Supersedes: None

Kit Contents This kit contains a Digital Input Printed Circuit Board.

Summary Enclosed is a new digital input board for your DR4300 recorder. Use the following procedure to install the new board in your recorder.

WARNING Never access components inside the case with power applied.

Continued next page

Component Location Refer to Figure 1 for the component locations and Table 1 for the installation procedure.

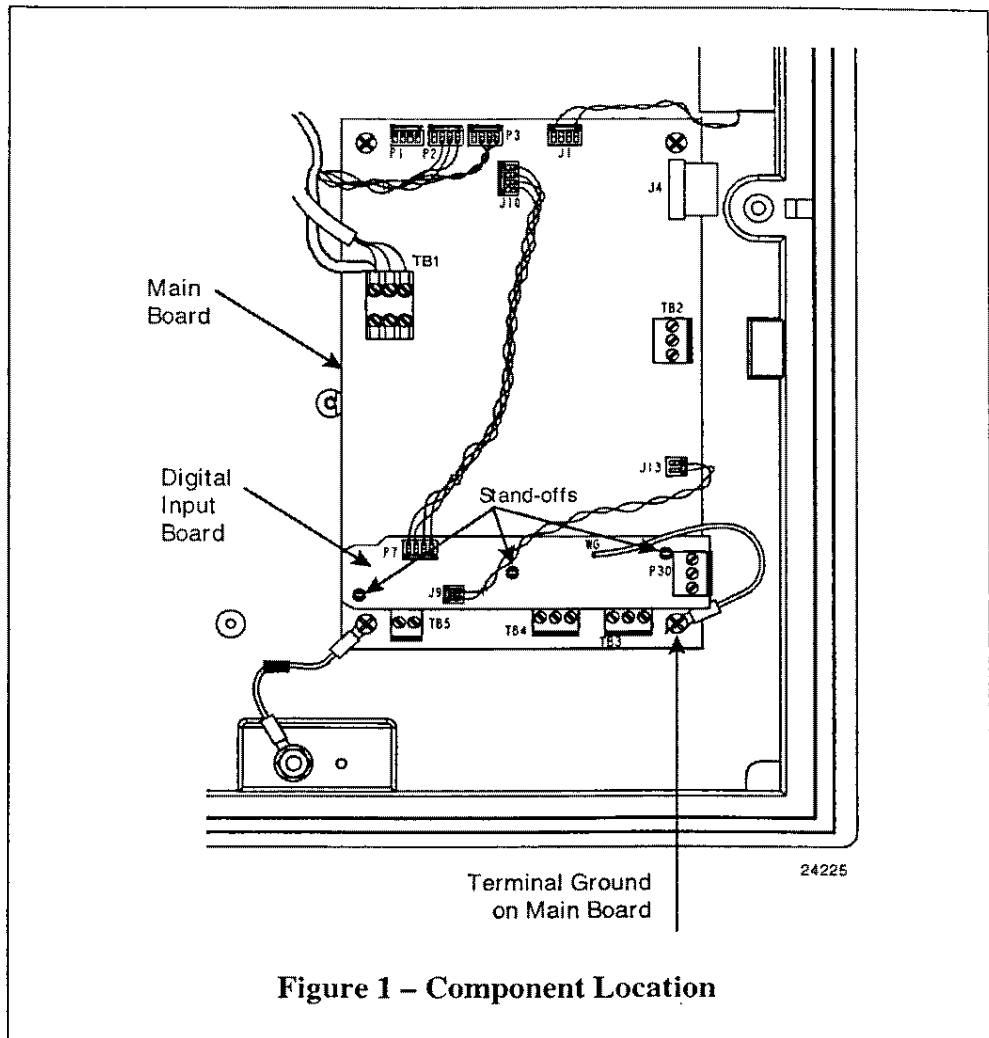
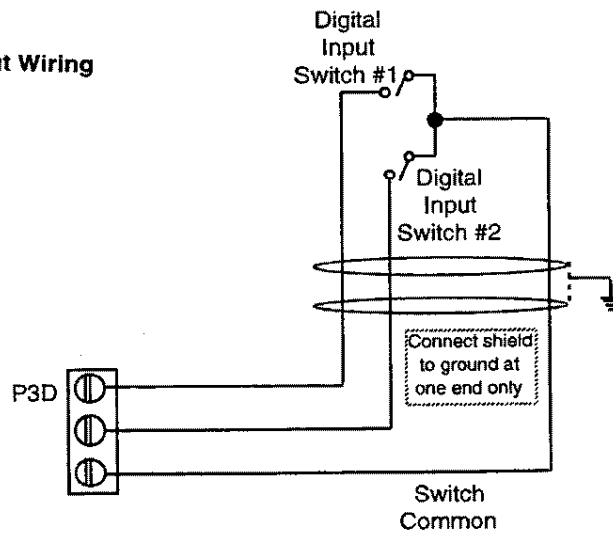


Figure 1 - Component Location

Digital Input Wiring



Installation Procedure Follow the procedure in Table 1 to install the new digital input printed wiring assembly in your recorder.

Table 1 – Digital Input PWA Installation

Step	Action
1	Power down the recorder. Open the chart door and swing the chart plate out. This permits access to the Main printed circuit board.
2	Locate the Digital Input printed circuit assembly (PCA) mounted on top of the pen channel's printed circuit assembly on three plastic stand-offs.
3	Disconnect the field wiring from P30 on the old digital input PCA.
4	Disconnect the power cable from J9 on the old digital input PCA. You can leave it attached to J13 on the main PCA unless you are also replacing the cable.
5	Disconnect the processor interface cable from P7 on the old digital input PCA. You can leave it attached to J10 on the main PCA unless you are also replacing the cable.
6	Loosen the digital input ground wire (WG) from the ground terminal located on the main PCA.
7	To remove the old digital input PCA, use needle-nose pliers to squeeze together the split top of the stand-off on the left and slide the PCA off the stand-off. Repeat for the center and right stand-offs.
8	Position the new digital input PCA on the stand-offs and press it into place.
9	Replace the cable plugs, terminal block, and ground wire disconnected in Steps 3 through 6.