

DR4300 Parts

Door assembly

Figure 9-1 is an exploded view of the door assembly. Table 9-1 is a list of the associated part numbers.

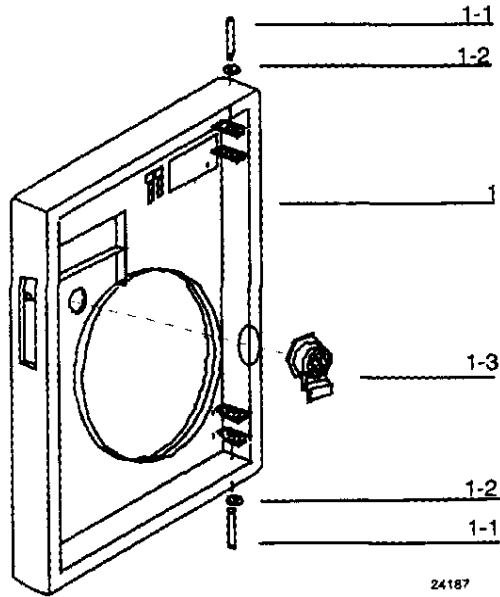


Figure 9-1 Door Assembly

Table 9-1 Door Assembly Parts

Key	Part Number	Description
1		Door Assembly (includes components for all door variations) Gray Door Blue Door Black Door NEMA4/Heavy Duty Door
1-1	(K)30756409-002	Hinge Pin*
1-2	(K)30756409-002	Retaining Ring*
1-3	51309609-503 51404673-501 30757307-503	Latch/Lock Assembly Kit* NEMA4/Heavy Duty Door Latch/Lock Assembly Kit* Key Only for Lock Assembly*
	51198139-501	Graphic Overlay for Door* (not shown)
	51309609-504	External Keypad Assembly Replacement Kit* (not shown)

*Parts included with applicable door assembly.

(K) denotes that the part number is for the parts kit in which the described part is included. The described part cannot be ordered separately.

Chart plate

Figure 9-2 is an exploded view of the chart plate assembly. Table 9-2 is a list of the associated part numbers.

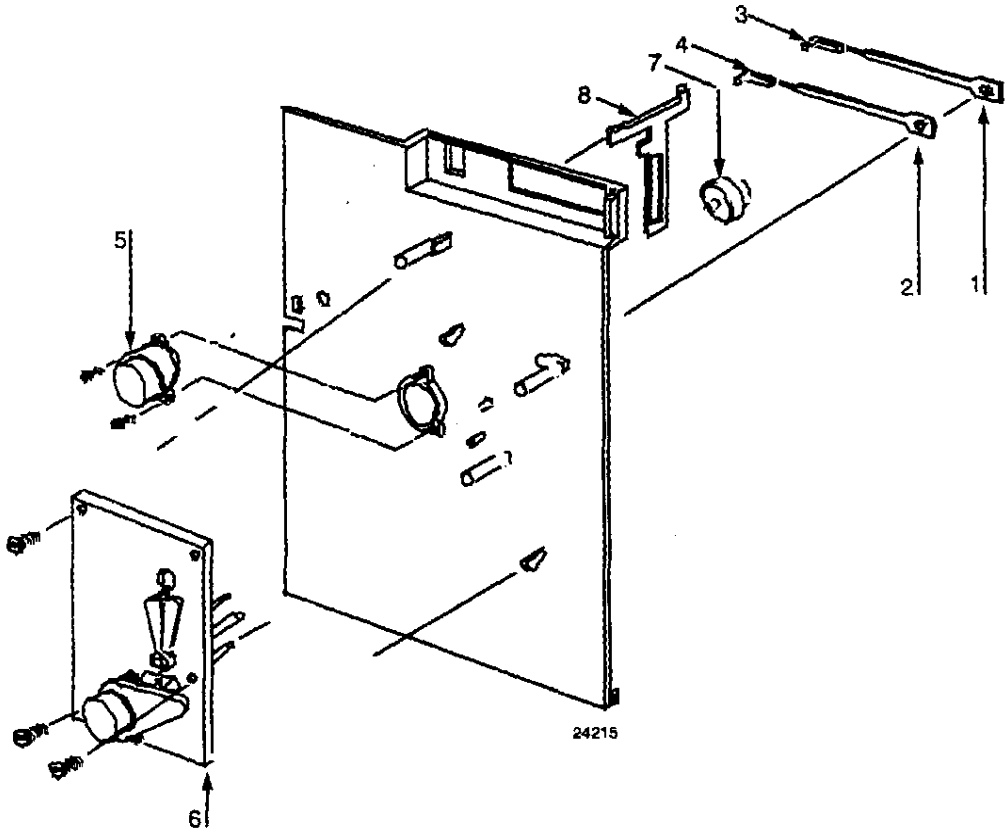


Figure 9-2 Chart Plate Assembly

Table 9-2 Chart Plate Assembly Parts

Key	Part Number	Description
1	(K)30756409-002	No. 1 Pen Arm
2	(K)30756409-002	No. 2 Pen Arm (2-pen model only)
3	30735489-007	No. 1 Purple Pen Cartridge (six pack)
4	30735489-002	No. 2 Red Pen Cartridge (six pack)
5	30756113-501	Chart Motor
6	30755833-501 30755833-502	Servo Plate Assembly 1-pen model 2-pen model
7	(K)30756150-501	Chart Hub Kit
8	(K)30756409-002	Pen Lifter Retainer

(K) denotes that the part number is for the parts kit in which the described part is included. The described part cannot be ordered separately.

Basic recorder components without options

Figure 9-3 is an exploded view of the recorder. Table 9-3 is a list of the associated part numbers.

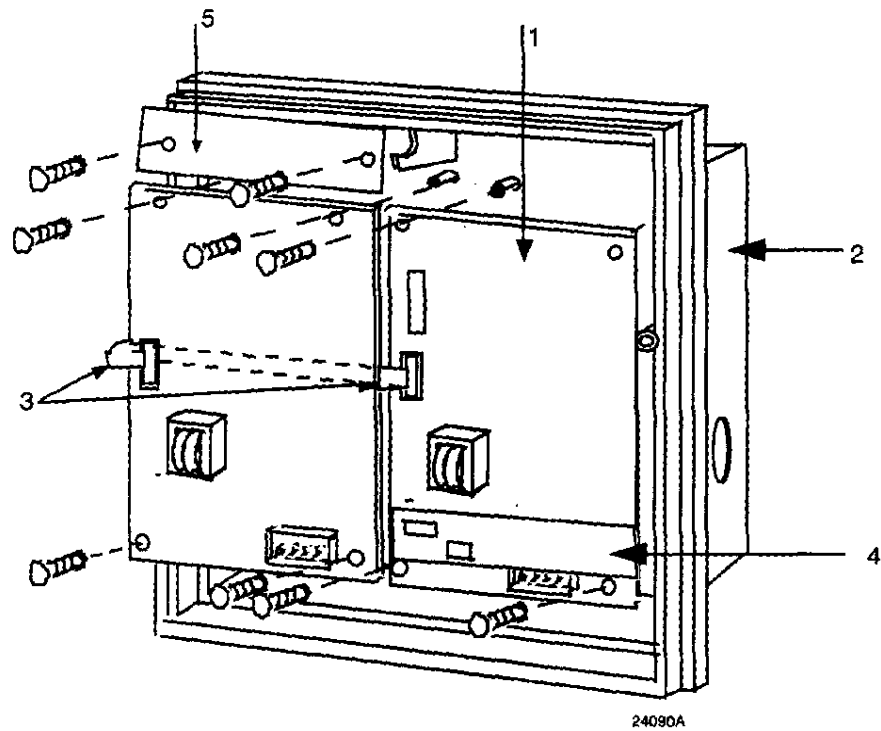


Figure 9-3 Recorder Components

Table 9-3 Basic Recorder Parts

Key	Part Number	Description
1		100 Vac to 240 Vac models
	51404453-501	Printed Circuit Assembly, Record Only
	51404453-502	Printed Circuit Assembly, Record and Control Spare Kit (includes solid state relay and open collector output)
	51404453-505	Printed Circuit Assembly, FM-approved Limit Controller (includes solid state relay and open collector output)
		20-27 Vac/Vdc models
	51404453-511	Printed Circuit Assembly, Record Only
	51404453-512	Printed Circuit Assembly, Record and Control Spare Kit (includes solid state relay and open collector output)
	51404453-515	Printed Circuit Assembly, FM-approved Limit Controller (includes solid state relay and open collector output)
2	30755800-502	Case
3	51404511-501	Cable Replacement Kit
4	51404566-501	Digital Input Assembly
5	51404750-502	Modbus Communication Assembly
Parts Not Shown		
	51404459-501	Display Module Printed Circuit Assembly
	51197612-502	Round cable suppression cores, package of 2
	51197612-508	Round cable suppression cores, package of 8
	51404999-001	Hand Held Display Kit
	51198150-501	Pipe Mounting Kit, 2 inch size
	30755306-501	Relay Kit - Electromechanical
	30756725-501	Relay Kit - Solid State
	30756679-501	Relay Kit - Open Collector
	51204403-501	Transmitter 24 V Power Supply Assembly
	51404753-501	Filter assembly, CE version
Upgrade PROMs		
	51197993-501	Basic Recorder PROM, latest software version
	51198182-501	Totalizer Upgrade PROM
	51198183-501	PID Control Upgrade PROM
	51404862-501	Auxiliary Output/Timer Upgrade PROM
	30755065-001	Standard Mounting Bracket Kit
	30755065-502	Heavy Duty/NEMA4 Mounting Bracket Kit
	51197657-501	Panel Mount Gasket Kit
	51205804-501	Terminal Block Kit