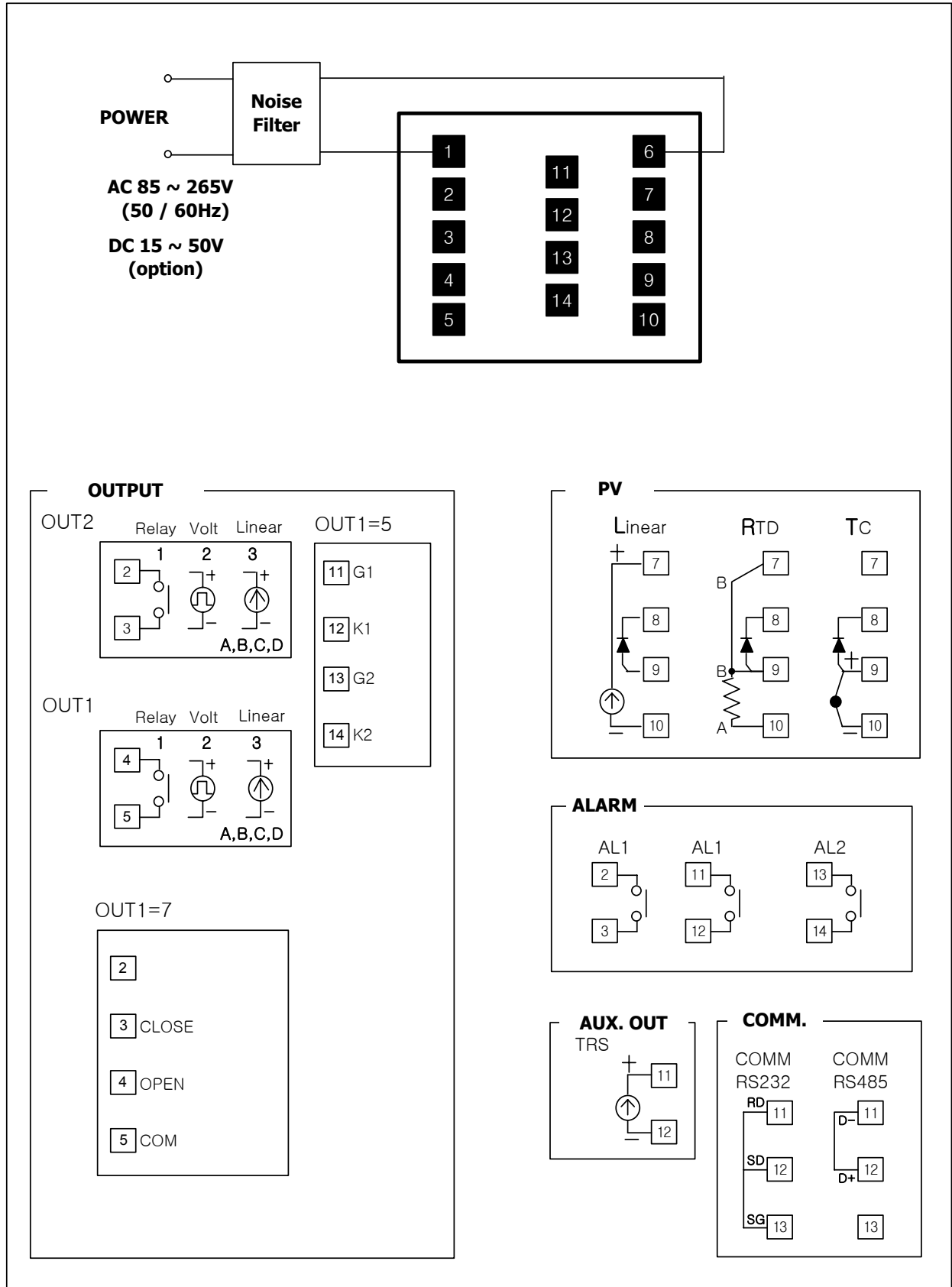
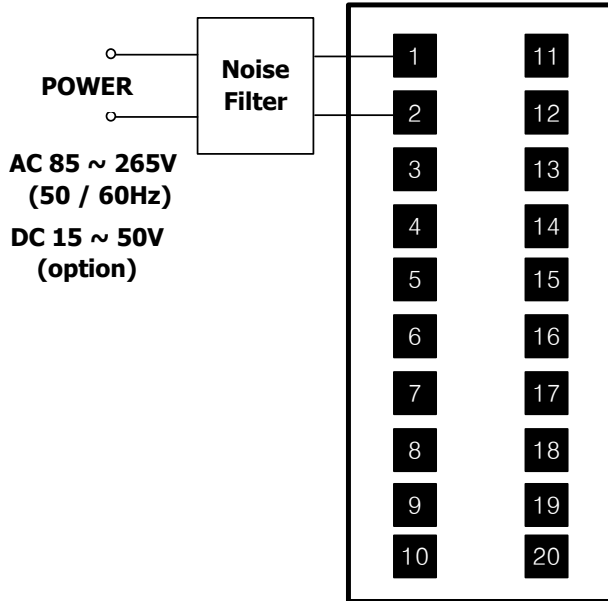


WIRING DIAGRAM DC1010

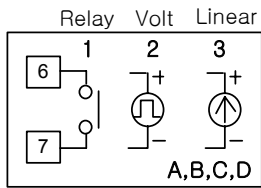


DC1020

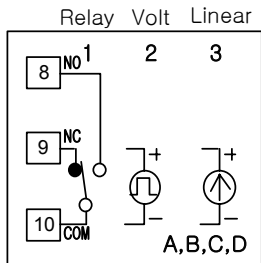


OUTPUT

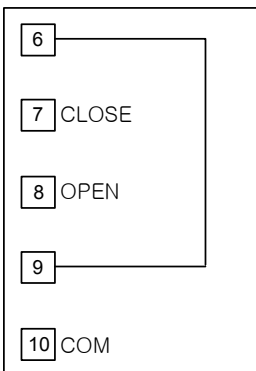
OUT2



OUT1

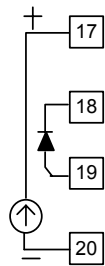


OUT1=7

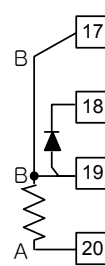


PV

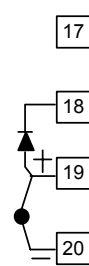
Linear



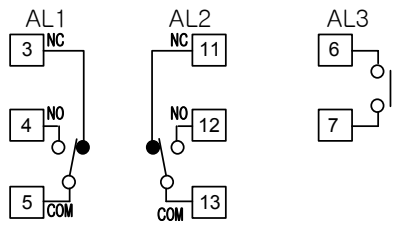
RTD



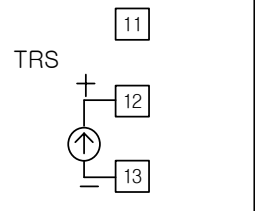
Tc



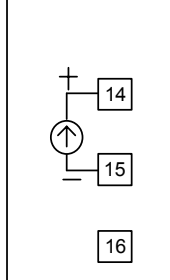
ALARM



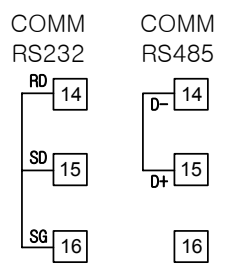
AUX. OUT



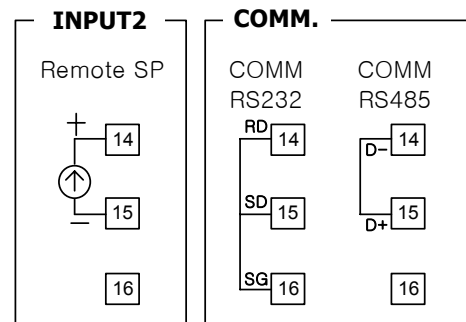
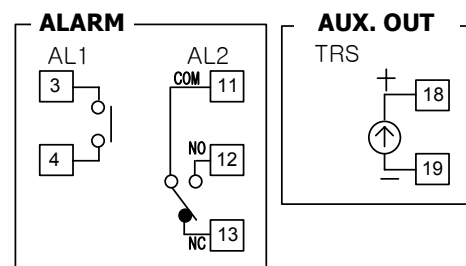
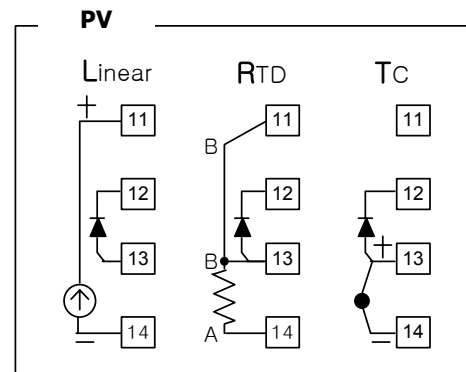
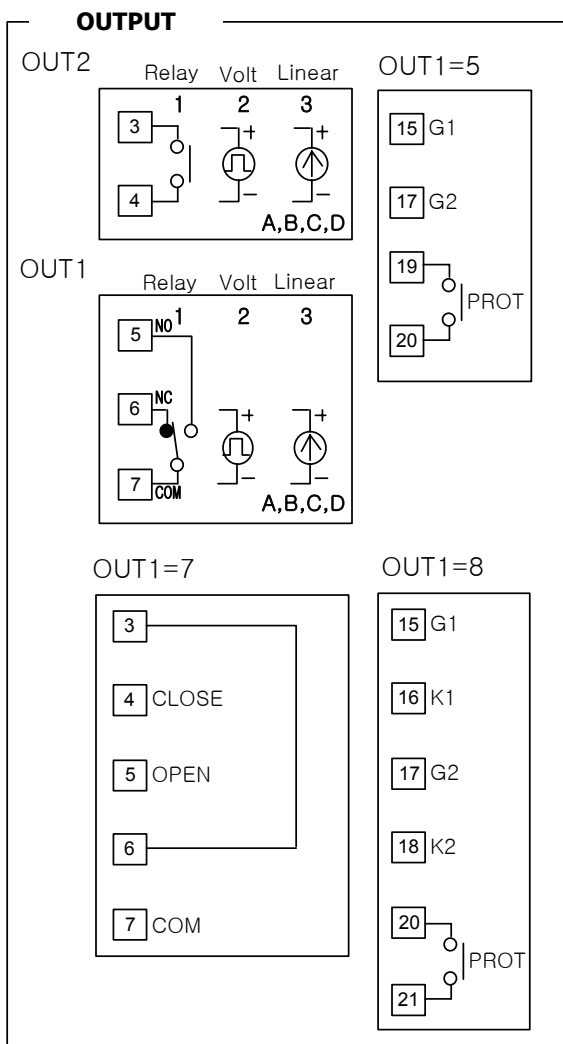
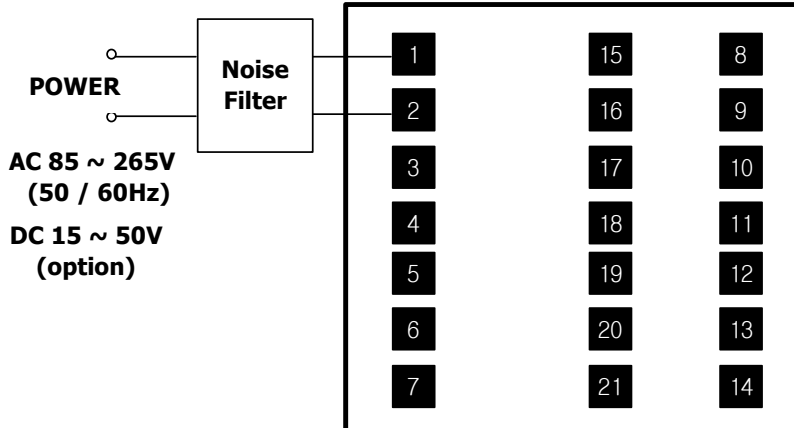
INPUT2



COMM.



DC1030



DC1040

