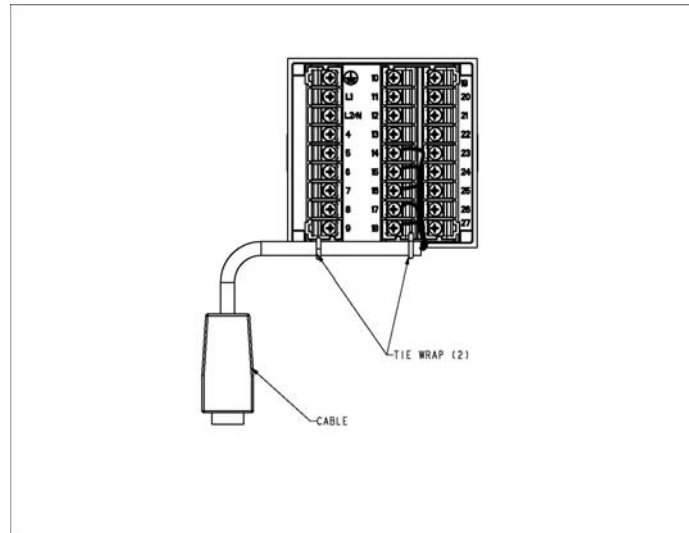




UDC 3200 Application Note

NGC Ethernet Wiring



Connecting a UDC to a MDI Compliant Hub utilizing a straight-through cable or for connecting a UDC to a PC utilizing a crossover cable

UDC Terminal	UDC Signal Name	Wire Color	RJ45 Socket Pin #	HUB Signal Name
Position 14	Shield	Black/Bare Wire	Shield	Shield
Position 15	RX-	Orange	6	TX-
Position 16	RX+	White/Orange	3	TX+
Position 17	TX-	Brown	2	RX-
Position 18	TX+	White/Brown	1	RX+

Connecting a UDC directly to a PC utilizing a straight-through cable (wiring the UDC cable this way makes the necessary cross-over connections)

UDC Terminal	UDC Signal Name	Wire Color	RJ45 Socket Pin #	PC Signal Name
Position 14	Shield	Black/Bare Wire	Shield	Shield
Position 15	RX-	Brown	2	TX-
Position 16	RX+	White/Brown	1	TX+
Position 17	TX-	Orange	6	RX-
Position 18	TX+	White/Orange	3	RX+