

# UDC 3300 to 3200 Wiring Conversion

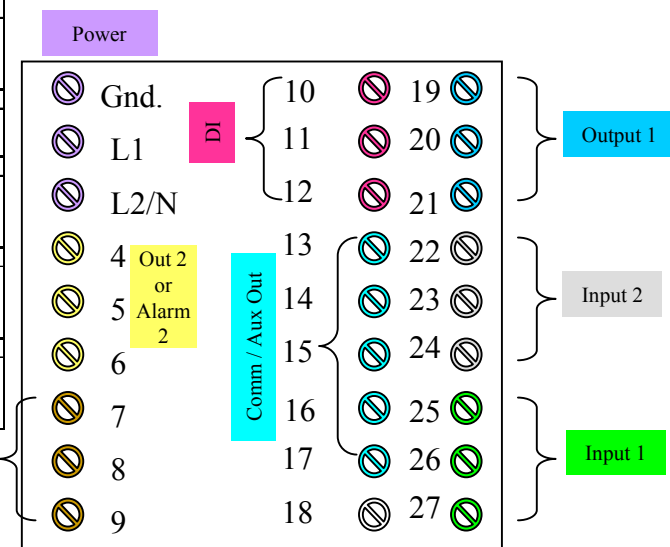
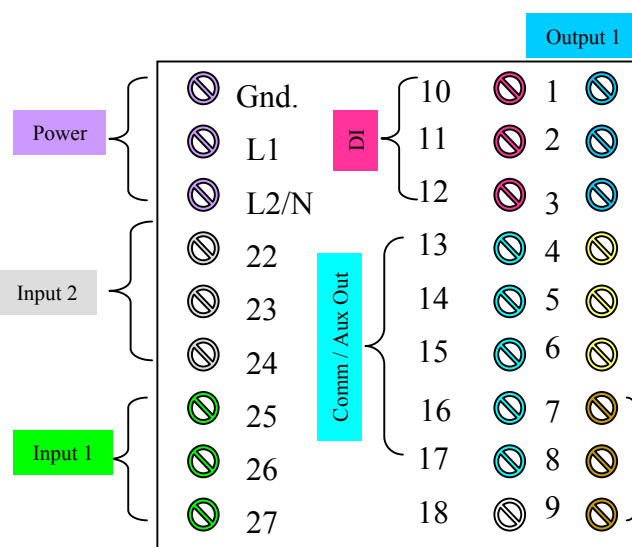
## UDC 3300



## UDC 3200



UDC3300				UDC3200			
<b>Output#1</b>				<b>Output#1</b>			
Current output	Open collector	SSR	Relay	Current output	Open collector	SSR	Relay
			1				19
2	2	2	2	19	20	20	20
3	3	3	3	21	21	21	21
<b>Output#2</b>				<b>Output#2</b>			
	Open collector	SSR	Relay		Open collector	SSR	Relay
			4				4
	5	5	5		5	5	5
	6	6	6		6	6	6
<b>Alarm#1</b>				<b>Alarm#1</b>			
			Relay				Relay
			7				7
			8				8
			9				9
<b>Digital Input#1</b>				<b>Digital Input#1</b>			
			10				10
			12				11
<b>Digital Input #2 *</b>				<b>Digital Input #2 *</b>			
			10				12
			11				13
<b>RS422/485</b>				<b>RS422/485</b>			
			13				16
			14				17
			15				18
<b>Auxiliary output *</b>				<b>Auxiliary output *</b>			
			16				12
			17				13
<b>Power Supply</b>				<b>Power Supply</b>			
			19				1
			20				2
			21				3
<b>Input#2</b>				<b>Input#2</b>			
			22				22
			23				23
			24				24
<b>Input#1</b>				<b>Input#1</b>			
			25				25
			26				26
			27				27



## UDC 3300

## UDC 3200