



# UDC 3500 Application Note

## Introduction

Figure 1 is an exploded view of the UDC3500 Controller. Each part is labeled with a key number. The part numbers are listed by key number in Table 1. Parts not shown are listed in Table 2 & 3.

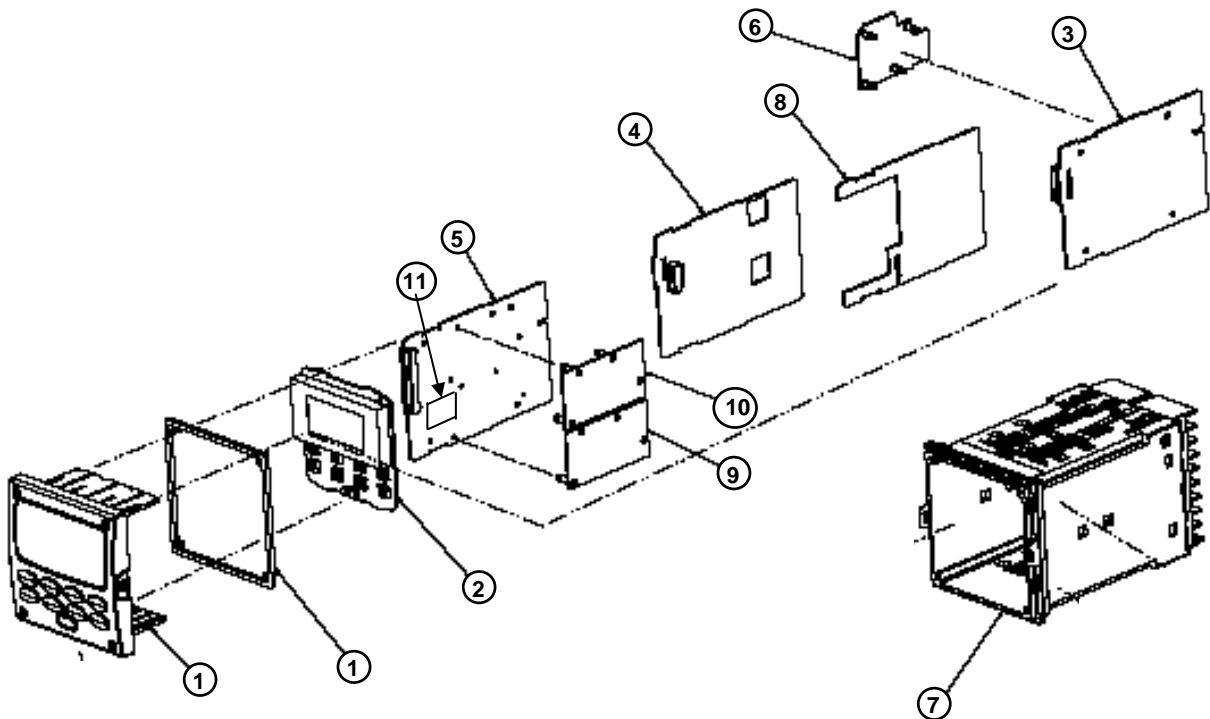


Figure 1 UDC3500 Exploded View



# UDC 3500 Application Note

**Table 1 Parts Identification**

Key Number	Part Number	Description
1	51453143-503	Bezel Assembly and Bezel Gasket
2	51452845-501	Display/Keyboard PWA
3	51452831-501 50006376-501	Power/Output PWA (90-264 Vac Operation) Power/Output PWA (24 Vac/dc Operation)
4	51452837-502 51452840-501	Second Current Output/Digital Inputs/RS-422/485 Communications PWA Digital Inputs/Ethernet Communications PWA
5	51452828-502	MCU/Input PWA
6	30755306-501 30756679-501 30756725-501 51452807-501 51452834-501	Output 2 <ul style="list-style-type: none"> <li>• Electro-Mechanical Relay</li> <li>• Open Collector Output PWA</li> <li>• Solid State Relay</li> <li>• Dual Electromechanical Relay PWA</li> <li>• Third Current Output PWA</li> </ul>
7	51452846-501	Case Assembly (including Mounting Kit with 4 brackets & screws)
8	51452843-501	Optional Relays PWA (Relays 3, 4 and 5)
9	51452824-501	Optional Input PWA (used for Inputs 2 and 4)
10	51452824-501	Optional Input PWA (used for Inputs 3 and 5)
11	51453140-501	Battery Module

**Table 2 Parts Not Shown**

Part Number	Description
30731996-506	Milliamp Input Resistor Assembly (250 ohm)
30754465-501	0-10 Volt or -1-1 Volt Input Resistor Assembly (100K pair)
51453364-501	Thermocouple Input Cold Junction Sensor Assembly
51452763-501	Mounting Kits (12 brackets & screws)



# UDC 3500 Application Note

**Table 3 Software Upgrades**

Part Number	Description
50004636-501	Math Options
50004636-502	Set Point Programming (SPP)
50004636-503	Healthwatch
50004636-504	Two Loops / Cascade
50004636-505	Data Storage (Requires that the instrument already have the Real Time Clock option)