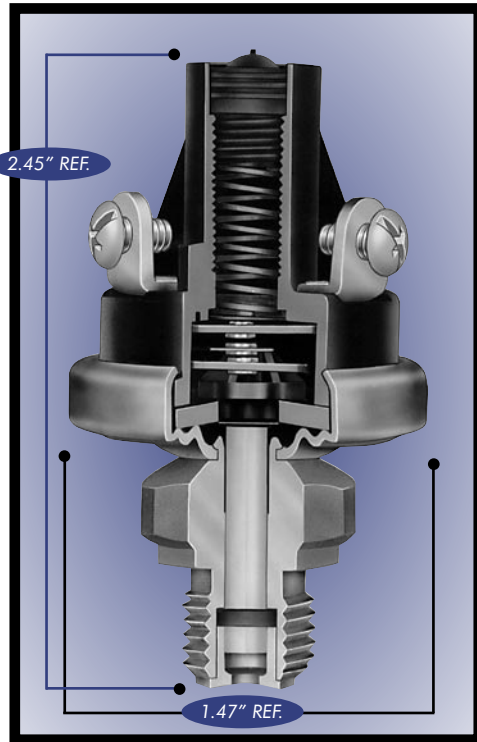
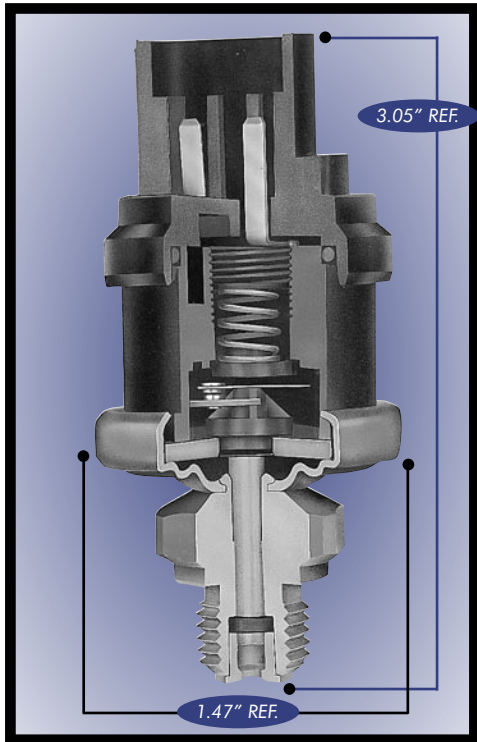


Set Points from 200 to 1000 psi

5000 Series Extended Duty Piston Switches With Direct Action Blade Contacts



5000 Series Piston Switch with Screw Terminals



5000 Series Piston Switch with Metri-Pack Terminal

The 5000 Series piston switch is specifically designed for extended duty applications with set point requirements from 200 to 1000 PSI. This switch is factory set with various terminations available including a Metri-Pack connector that forms a tight seal when connected. Among the outstanding design benefits are its durable construction, compact size, and enhanced set point integrity. This switch has a wide media compatibility making it ideal for a number of applications.

Standard Specifications

Type:	Direct action blade contact
Contacts:	Silver alloy, gold plated
Set Point:	Factory set
Pressure:	200-1000 PSI
Operating Pressure:	1000 PSI
Proof Pressure:	2000 PSI
Burst Pressure:	3000 PSI

Ratings:

Resistive:	15 AMP- 6 VDC
	8 AMP- 12 VDC
	4 AMP- 24 VDC
Inductive:	1 AMP- 120 VAC
	0.5 AMP- 240 VAC

Standard Seal: Nitrile (others available)

Temperature Range: -40° F to + 250° F
Connector: 1/2-20 UNF (o-ring fitting)

Terminals: #8-32 screws, 1/4" blade, 280 Series Metri-Pack SPST-N.O., N.C., D.C.

Circuitry: Steel
Base: Glass reinforced polyester

Cover: Brass, stainless steel base; o-ring fittings; seal for brake fluid; wire leads (potted and sealed); boot p/n 79380 (see photo on page 4.)

Piston Switch with Standard Terminal			Single Circuit		Dual Circuit * one circuit adjustable	
Contact Setting Range	Approximate Differential	Circuitry	Part Number		Part Number	
			Screw	Blade	Screw	Blade
200-400 ±30	30-100	N.O.	79700	79701	79712	79713
		N.C.	79702	79703		
401-800 ±60	40-125	N.O.	79704	79705	79714	79715
		N.C.	79706	79707		
801-1000 ±90	50-180	N.O.	79708	79709	79716	79717
		N.C.	79710	79711		

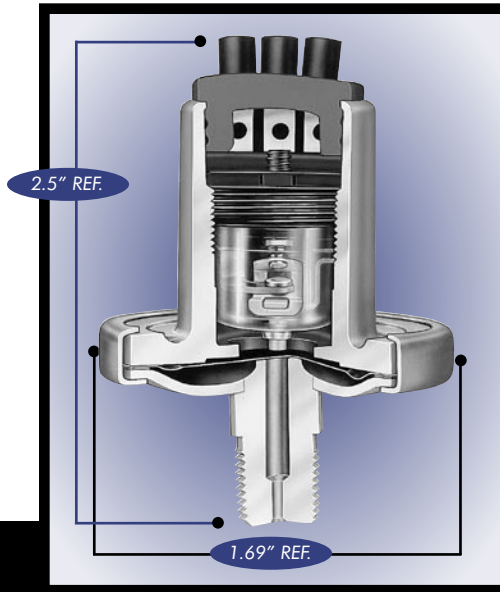
Piston Switch with Metri-Pack Terminal			Single Circuit (Mates with Packard P/N 15300027)	Dual Circuit * one circuit adjustable (Mates with Packard P/N 12034147)
Contact Setting Range	Approximate Differential	Circuitry	Part Number	
			Part Number	Part Number
200-350 ±30	30-100	N.O.	79718	79724
		N.C.	79719	
351-500 ±45	40-125	N.O.	79720	79725
		N.C.	79721	
501-750 ±60	50-150	N.O.	79722	79726
		N.C.	79723	

* Note: The N.C. circuit is the reference circuit for the dual circuit switch; the normally open circuit is not adjusted. For applications requiring the normally open circuit as the reference circuit, the N.C. circuit is not adjusted.
Specify: 1. Set point 2. Actuate on increasing or decreasing pressure 3. SPST N.O. or N.C. SPDT.

Set Points from 2 to 70 psi and 2" to 22" Hg

Series III Factory Set Variable Differential Pressure & Vacuum Switches With Snap Action Contacts

The Series III switch is a customizable switch built per customer specifications. It features a non-ferrous chamber and excellent set point integrity at extreme temperatures. The exclusive snap switch features: Low-contact resistance, wiping action, fast transfer time, gold over silver contacts, and an adjustable differential. It's been thoroughly tested for shock and vibration resistance and is particularly valuable in applications where hysteresis, fast transfer time, and low contact resistance are vital.



Pressure Switch Standard Specifications

Type: Snap action switch
Set Point: Factory set
Pressure: 1-70 PSI
Operating Pressure: 200 PSI
Proof Pressure: 350 PSI
Burst Pressure: 500 PSI

Ratings:

Resistive: 15 AMP- 6 VDC
 8 AMP- 12 VDC
 4 AMP- 24 VDC
Inductive: 1 AMP- 120 VAC
 0.5 AMP- 240 VAC
 Dry circuits

Diaphragm: Beryllium copper
Temperature Range: -40° F to + 250° F
Connector: 1/8 -27 PTF SAE short male thread

Terminals: 8" Wire leads-18 ga.
Circuitry: SPST-N.O. or N.C., SPDT

Base: Brass
Housing: Die cast zinc
Options: Silver contacts, silver soldered base

Terminations: Wire leads with wide selection of Cannon, Packard, AMP, and others available

Connectors: 1/4" and 3/8" PTF SAE short; 1/2-20 UNF (o-ring fitting); 3/8-24 UNF (3/16" tube); 7/16-24 UNF (1/4" tube); and metric

Series III Pressure Switch

(Vacuum Switch Similar)

Series III pressure and vacuum switches are custom built switches designed to customer specifications therefore minimum ship quantities are required and are not available off-the-shelf.

Pressure Switch/Factory Set

Reference #	Set Point Range	Differential
120000	2-4 PSI	1-1.5 PSI
120001	4-12 PSI	2-6 PSI
120002	12-24 PSI	8-12 PSI
120003	24-40 PSI	10-18 PSI
120004	40-70 PSI	15-20 PSI

Vacuum Switch/Factory Set

Reference #	Set Point Range	Differential
120005	15-36" H ₂ O	4-12" H ₂ O
120006	2-6" Hg	0.4-1" Hg
120007	6-12" Hg	0.4-1" Hg
120008	12-22" Hg	0.6-1.5" Hg

Specify: 1. Set Point
 2. Actuate on increasing or decreasing pressure
 3. SPST N.O. or N.C., SPDT

Vacuum Switch Standard Specifications

Type: Snap action switch
Set Point: Factory set
Vacuum: 2 to 22" Hg
 15 to 36" H₂O

Operating Pressure: 200 PSI
Proof Pressure: 350 PSI
Burst Pressure: 500 PSI

Ratings:

Resistive: 15 AMP- 6 VDC
 8 AMP- 12 VDC
 4 AMP- 24 VDC
Inductive: 1 AMP- 120 VAC
 0.5 AMP- 240 VAC
 Dry circuits

Diaphragm: Silicone rubber

Temperature

Range: -40° F to + 250° F

Connector: 1/8 -27 PTF SAE short male thread

Terminals: 8" Wire leads-18 ga.

Circuitry: SPST-N.O. or N.C., SPDT

Base: Brass

Housing: Die cast zinc

Options: Silver contacts, silver soldered base, fluorosilicone rubber diaphragm

Terminations: Wire leads with wide selection of Cannon, Packard, AMP, and others available

Connectors: 1/4" and 3/8" PTF SAE short; 1/2-20 UNF (o-ring fitting); 3/8-24 UNF (3/16" tube); 7/16-24 UNF (1/4" tube); and Metric

Set Points from 35 to 3000 psi

Series V High Pressure Environmentally Sealed, Extreme-Duty Switches With Snap Action Contacts

The Series V switch is a high pressure switch with set points up to 3000 PSI and is built to exact customer specifications. Excellent set point integrity at extreme temperatures and wide fluid compatibility make this switch ideal for extreme duty applications. And, under all operating conditions, it boasts an excellent response time. Like the Series III, the Series V exclusive snap switch has an adjustable differential, low contact resistance, wiping action, fast transfer time, and gold over silver contacts. This switch is beneficial where hysteresis, fast transfer time, and low contact resistance are vital.

Standard Specifications

Type: Snap action switch
 Set Point: Factory set
 Pressure: 35-300 PSI (elastomeric diaphragm)
 100-3000 PSI (steel piston)

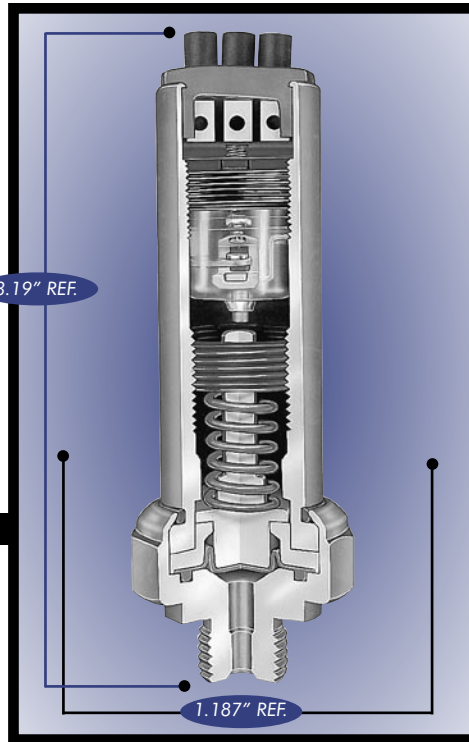
Operating Pressure: Diaphragm 300 PSI
 Piston 3000 PSI
 Proof: Diaphragm 500 PSI
 Piston 5000 PSI
 Burst: Diaphragm 2000 PSI
 Piston 10000 PSI

Ratings:

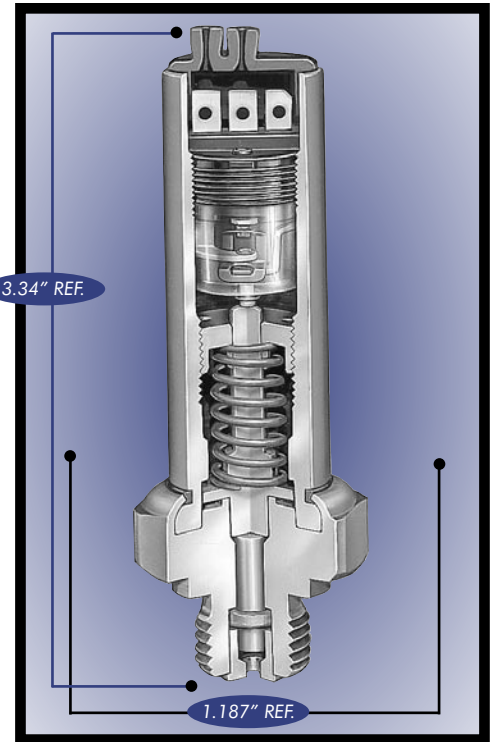
Resistive: 15 AMP- 6 VDC
 8 AMP- 12 VDC
 4 AMP- 24 VDC
 Inductive: 1 AMP- 120 VAC
 0.5 AMP- 240 VAC
 Dry circuits

Temperature

Range: -40°F to +250°F
 Connector: Diaphragm 1/8-27 PTF
 SAE short male thread
 Piston: 3/4-16 UNF (o-ring fitting)
 Terminals: 8" Wire leads-18 ga.
 Circuitry: SPST-N.O. or N.C., SPDT
 Base: Plated steel
 Housing: Plated steel
 Options: Silver contacts
 Terminations: Wide selection of
 Cannon, Packard, AMP,
 and others available
 Connectors: 1/2-20 UNF (o-ring fitting);
 9/16-18 UNF (o-ring
 fitting);
 M14x1.5 (o-ring fitting);
 Others available
 upon request.



Diaphragm Type



Piston Type

Diaphragm Type

Reference Number	Set Point Range	Differential
26900	35-50 PSI	10-15 PSI
26901	50-100 PSI	10-15 PSI
26902	100-200 PSI	10-15 PSI
26903	200-300 PSI	10-20 PSI

Piston Type

Reference Number	Set Point Range	Differential
26904	100-150 PSI	35-50 PSI
26905	150-250 PSI	50-75 PSI
26906	250-500 PSI	75-100 PSI
26907	500-750 PSI	100-150 PSI
26908	750-1000 PSI	150-300 PSI
26909	1000-1250 PSI	175-350 PSI
26910	1250-1500 PSI	175-360 PSI
26911	1500-1750 PSI	220-370 PSI
26912	1750-2000 PSI	230-380 PSI
26913	2000-2250 PSI	250-390 PSI
26914	2250-2500 PSI	355-400 PSI
26915	2500-2750 PSI	370-420 PSI
26916	2750-3000 PSI	385-450 PSI

- Specify:**
1. Set Point
 2. Actuate on increasing or decreasing pressure
 3. SPST N.O. or N.C., SPDT

Series V pressure and vacuum switches are custom built switches designed to customer specifications therefore minimum ship quantities are required and are not available off-the-shelf.