

Differential Digital Pressure Gauge

Model JD

Ranges 1 to 10,000 PSI Differential

Field Selectable Units of Measure

4-20 mA (2 wire) or 0-5 VDC Analog Outputs (Optional)

2 Programmable Limits and Relays (Optional)

High & Low Detection with Microprocessor Memory

The JD Differential Digital Pressure Test Gauge offers accurate and rugged NEMA rated construction with high line and over pressure protection as shown in the chart below:

PRESSURE RANGE	MAXIMUM LINE PRESSURE (PSI) (see note #1 below)	MAXIMUM SAFE OVER PRESSURE (PSI) (see note #2 below)	INCREMENTAL DISPLAY STEPS (PSI) Positive Only
0 - 1	1500	1500	.001
0 - 2	1500	1500	.001
0 - 5	1500	1500	.005
0 - 10	1500	1500	.01
0 - 15	1500	1500	.01
0 - 25	1500	1500	.02
0 - 50	1500	1500	.05
0 - 75	1500	1500	.05
0 - 100	1500	1500	.1
0 - 150	1500	1500	.1
0 - 200	1500	1500	.1
0 - 300	1500	1500	.2
0 - 500	1500	1500	.5
0 - 750	1500	1500	.5
0 - 1000	1500	1500	1
0 - 1500	3500	2250	1
0 - 2000	4000	3000	1
0 - 3000	5000	4500	2
0 - 5000	7000	7000	5
0 - 7500	9500	9500	5
0 - 10000	12000	12000	5

- (1) Maximum line pressure is the amount of pressure that can be placed on both sides of the diaphragm.
- (2) Maximum Safe differential pressure is the differential pressure which the unit can experience occasionally without loss of accuracy or permanent damage.



- Accuracy 0.2% Full Scale
- NEMA 4 (optional)
- NIST STATEMENT
- On/Off Switch with Auto Off Feature

Distributed By:

DCT Instruments

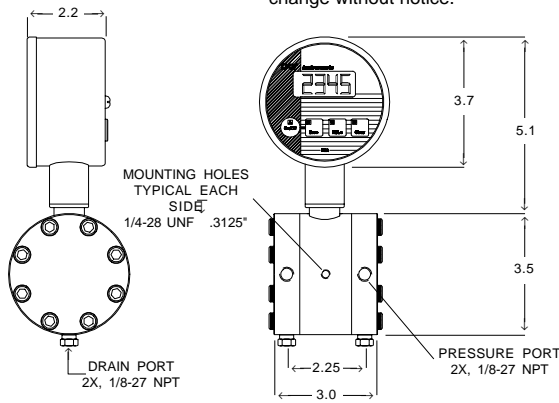
DCT Instruments/Sensotec
2080 Arlingate Lane
Columbus, Ohio 43228
www.dctinstruments.com

TEL 614-850-6020
FAX 614-850-1111
1-800-328-1028
Email: dct@sensotec.com

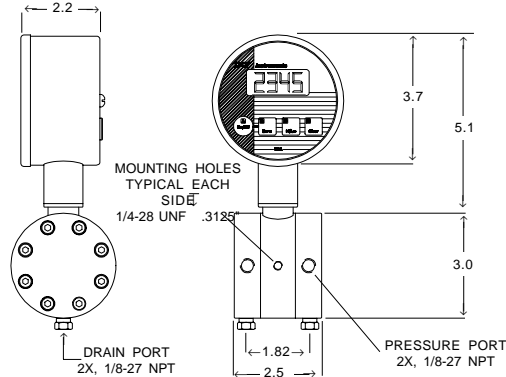
DIMENSIONS

Request certified drawing before designing mountings or fixtures. Specifications subject to change without notice.

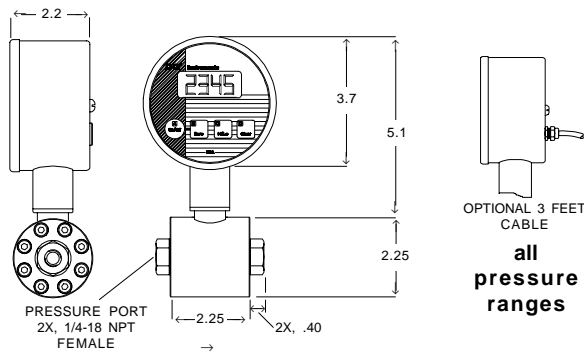
1 TO 25 PSID



50 TO 750 PSID



1000 TO 10000 PSID



OPTIONAL 3 FEET CABLE
all pressure ranges

SPECIFICATIONS

Rating:	NEMA 2 (Optional NEMA 4)
Linearity & Hysteresis:	0.2% FS (Better than Test Gauge Accuracy)
Operating Temperature:	30 to 160 deg F
Pressure Ranges (PSID):	1, 2, 5, 10, 15, 25, 50, 75, 100, 150, 200, 300, 500, 750, 1000, 1500, 2000, 3000, 5000, 7500, 10000
Display:	4 1/2 LCD digits - 0.5 inches high
Pressure Port:	1/8-27 NPT female on ranges to 750 PSID 1/4-18NPT female on ranges 1000 PSID and above
Electrical Connection:	3foot cable (std) Models JDB, JDE, JDR, JDX, JDV
Wetted Surfaces:	Stainless steel
O-Ring Seal:	1 to 750 PSID Viton 1000 to 10000 PSID Teflon coated stainless steel
Housing:	Stainless steel
High & Low Capture:	Standard
Update Speed:	3 times per second
Zero & Span Signal Adjustment:	Standard on JDB, JDE, JDX
Face Membrane:	Tactile Feedback Raised Buttons
Calibration Data:	Stored on Memory Chip
Low Battery Indication:	Standard on Model JDW
Limits & Relays:	Model JDR & JDX

ORDERING INFORMATION

ORDER CODE

* = Example

SERIES

JD*

MODEL DESIGNATION

Models with Output Signal

B = 4-20 mA (2 wire)

E = 0-5 VDC

R = 2 Programmable Limits & Relays

X = 0-5 VDC with 2 Limits & Relays

Models with No Output Signal

W = Battery powered (9 volt alkaline)*

T = 110 Volts AC adapter (included)

V = 11 to 32 VDC (3 ft. cable)

PRESSURE RANGE (PSID)

1 = 0-1 75 = 0-75 1K = 0-1000

2 = 0-2 100 = 0-100 1.5K = 0-1500

5 = 0-5* 150 = 0-150 2K = 0-2000

10 = 0-10 200 = 0-200 3K = 0-3000

15 = 0-15 300 = 0-300 5K = 0-5000

25 = 0-25 500 = 0-500 7.5K = 0-7500

50 = 0-50 750 = 0-750 10K = 0-10000

REFERENCE

D= Differential unit scaled from 0 PSI to positive full scale value on the positive pressure side.*

Bi-directional scaling is available as an option.

Please consult the factory.

ELECTRICAL CONNECTION

Z = No electrical connection (Model JDW - 9 volt battery)*

C = 3 foot cable (Models JDB, JDE, JDR, JDX & JDV)

T = AC adapter (Model JDT)

B = Bendix (opt) PTIH-10-6P or equal (connector sold separately)

Call factory for availability of other electrical connections and cable lengths.

NEMA 4 CONSTRUCTION

4 = NEMA 4 (not available on Model JDT)

FIELD SELECTABLE STANDARD UNITS OF MEASURE

Bar = Bar

Ft H2O = Feet of water

MBar = Millibar

In H2O = Inches of water

kPa = Kilopascals

In Hg = Inches of mercury

MPa = Megapascals

mmHg = Millimeters of mercury

Consult factory for other units of measure not listed

POWER SPECIFICATIONS

Model JDW: One or two 9 volt alkaline batteries

Model JDT: 110 volt AC adapter @ 60 Hz (included)

Model JDV: 11 to 32 VDC @ 100 mA (3 ft. cable included)

Model JDB: 11 to 32VDC (depending on loop resistance) @ 20mA

Model JDE: 11 to 32 VDC @ 100 mA

Model JDR: 11 to 32 VDC @ 100 mA

Model JDX: 11 to 32 VDC @ 100 mA

(The limit/relay models include 2 LED status indicators on front face and 2 form C relays (normally open, common, normally closed) that are rated at a maximum 24 VDC/AC at 1 AMP or 48 VDC/AC at 1/2 AMP).

ACCESSORIES

PRESSURE ADAPTER (Zinc Plated Steel)

(some adapters available in stainless steel - consult factory)

ORDER CODE

1/8-27 NPTM by 1/4-18 NPTF

AD12

1/4-18 NPTM by 1/4-18 NPTM

AD5

1/4-18 NPTM by 7/16-20 UNF F

AD2

1/4-18 NPTM by 7/16-20 UNFM

AD3

NIST CERTIFICATION

(in addition to NIST STATEMENT)

NISTCERTS