

Model 75

Precision Low Profile Load Cell



DESCRIPTION

Model 75 fatigue rated load cells are engineered for applications such as materials or product fatigue testing, which involve an extremely large number of cycles or occasional overload conditions. These fatigue rated load cells have load ranges from 50 lb to 200,000 lbs and achieve a non-linearity of 0.1% full scale. The superior design of these bonded foil, strain gage compression and/or tension load cells permits a fatigue life of 1 billion cycles (zero to full scale).

Model 75 measures tension/compression and must be used on a smooth flat surface to achieve rated specifications. The tension/compression Model 75 is designed with the threaded hole running completely through the center of the cell. Model 75 utilizes two stabilizing diaphragms, which are welded to the sensing member to reduce off-center and side-loading effects.



FEATURES

- 0.10 % accuracy
- 50 lb to 200000 lb
- mV/V output (standard); 4 mA to 20 mA or 0 Vdc to 5 Vdc (optional) outputs
- Stainless steel
- Double diaphragm design
- Enhanced overload capacity
- Intrinsically safe available (2N option only)⁸
- CE approved⁹

Model 75

PERFORMANCE SPECIFICATIONS

Characteristic	Measure
Load ranges ¹⁰	50 lb to 200000 lb
Non-linearity	±0.1 % full scale
Hysteresis	±0.1 % full scale
Non-repeatability	±0.03 % full scale
Output (tolerance)	2 mV/V ±0.5 % full scale
Operation	Compression/tension
Resolution	Infinite
Standard calibration	5-point calibration, 0 %, 50 %, and 100 % of full scale in tension only

ENVIRONMENTAL SPECIFICATIONS

Characteristic	Measure
Temperature, operating	-54 °C to 121 °C [-65 °F to 250 °F]
Temperature, compensated	15 °C to 71 °C [60 °F to 160 °F]
Temperature effect, zero	0.002 % full scale/°F
Temperature effect, span	0.002 % full scale/°F

ELECTRICAL SPECIFICATIONS

Characteristic	Measure
Strain gage type	Bonded foil
Excitation (calibration)	10 Vdc
Insulation resistance	5000 mOhm @ 50 Vdc
Bridge resistance (tolerance)	350 ohm
Zero balance (tolerance)	±1 % full scale
Shunt calibration data	Included
Electrical termination (std) 50 lb to 2000 lb	PTIH-10-6P
Electrical termination (std) 3000 lb to 200000 lb	MS3102E-14S-6P
Mating connector (not incl.) 50 lb to 2000 lb	PT06A-10-6S or equiv. (AA111)
Mating connector (not incl.) 3000 to 200000 lb	MS3106A-14S-6S (AA121)

MECHANICAL SPECIFICATIONS

Characteristic	Measure
Maximum allowable load	200 % FS ²
Weight	See table
Material ≤ 100000 lb	17-4PH stainless steel
Material ≥ 125000 lb	Carbon steel
Life cycles (approx.)	> 10 ⁸ cycles fully reversed
Deflection	See table
Natural frequency	See table

RANGE CODES

Range Code	Available ranges	Range Code	Available ranges
BN	50 lb	DV	10000 lb
BR	100 lb	EJ	15000 lb
CN	250 lb	EL	20000 lb
CR	500 lb	EN	30000 lb
CV	1000 lb	EP	50000 lb
DL	2000 lb	ER	75000 lb
DN	3000 lb	ET	100000 lb
DP	4000 lb	FJ	150000 lb
DR	5000 lb	FL	200000 lb
DT	7500 lb		

WIRING CODES

Connector	Unamplified (Std.)
A	(+) excitation
B	(+) excitation
C	(-) excitation
D	(-) excitation
E	(-) output
F	(+) output

DEFLECTIONS AND RINGING FREQUENCIES

Capacity (lb)	Deflection @ full scale (in)	Natural ringing frequency (kHz)	Weight g [lb]
50 to 500	0.001	2.5	730 [1.61]
1000 to 2000	0.002	10	900 [1.98]
3000 to 7500	0.002	8	4000 [8.82]
10000 to 20000	0.003	10	5000 [11.02]
30000 to 50000	0.003	8.2	8600 [18.96]
75000 to 100000	0.004	7.5	15000 [33.07]
150000 to 200000	0.006	4.5	21000 [46.3]

INTERNAL AMPLIFIERS

Amplifier specifications	Voltage output: Option 2b	Voltage output: Option 2c	Voltage output: Option 2t	Current three-wire: Option 2j	Current two-wire: Option 2k	Intrinsically safe amp: Option 2n (2N)***
Output signal	±5 V	0 V to 5 V or ±5 V @ 45 mA	0 V to 10 V or ±10 V @ 45 mA	4 mA to 20 mA	4 mA to 20 mA	4 mA to 20 mA
Input power (voltage)	±15 V or 26 Vdc to 32 Vdc	11 Vdc to 28 Vdc	15 Vdc to 28 Vdc	22 Vdc to 32 Vdc	15 Vdc to 40 Vdc	9 Vdc to 28 Vdc
Input power (current)	45 mA	40 mA	40 mA	65 mA	4 mA to 28 mA	4 mA to 24 mA
Freq. resp (amp)	3000 Hz	3000 Hz	3000 Hz	2500 Hz	300 Hz	2000 Hz
Power supply rej.	60 db	60 db	60 db	60 db	60 db	60 db
Operating temp.	-20 °F to 185 °F	-20 °F to 185 °F	-20 °F to 185 °F	0 °F to 185 °F	0 °F to 185 °F	-20 °F to 185 °F
Reverse voltage protection	Yes	Yes	Yes	Yes	Yes	Yes
Short cir. protection	Momentary	Momentary	Momentary	Yes	Yes	Yes
Wiring code: connector (std)⁴	A (+) Supply B Output common C Supply return D (+) Output E Shunt cal 1 F Shunt cal 2	A (+) Supply B Output common** C Supply return ** D (+) Output E Shunt cal 1 F Shunt cal 2	A (+) Supply B Output common** C Supply return** D (+) Output E Shunt cal 1 F Shunt cal 2	A (+) Supply B Output common** C Supply return** D (+) Output E Shunt cal 1 F Shunt cal 2	A (+) Supply B No connection C No connection D (+) Output E Case ground F No connection	A (+) Supply B No connection C No connection D (+) Output E Case ground F No connection
Wiring code: cable^{4,5,6}	R (+) Supply BI Output common G Supply return W (+) Output B Shunt cal 1 Br Shunt cal 2	R (+) Supply BI Output common* G Supply return* W (+) Output B Shunt cal 1 Br Shunt cal 2	R (+) Supply BI Output common* G Supply return* W (+) Output B Shunt cal 1 Br Shunt cal 2	R (+) Supply BI Output common* G Supply return* W (+) Output B Shunt cal 1 Br Shunt cal 2	R (+) Supply BI (+) Output W Case ground	R (+) Supply BI (+) Output W Case ground

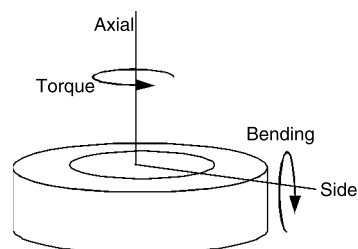
* Black and green wires are internally connected.

** Pins B and C are internally connected.

*** See our Web site for the most up-to-date information regarding intrinsically safe approvals, ref. #008-0547-00.

ALLOWABLE MAXIMUM LOADS²

Capacity (lb)	Side load (lb)	Bending (lb-in)	Torque (lb-ft)
50 to 500	75 %	60 %	35 %
1000 to 2000	45 %	35 %	35 %
3000 to 7500	30 %	30 %	25 %
10000 to 20000	30 %	30 %	25 %
30000 to 50000	30 %	30 %	15 %
75000 to 100000	30 %	30 %	15 %
150000 to 200000	30 %	30 %	15 %



Model 75

OPTION CODES

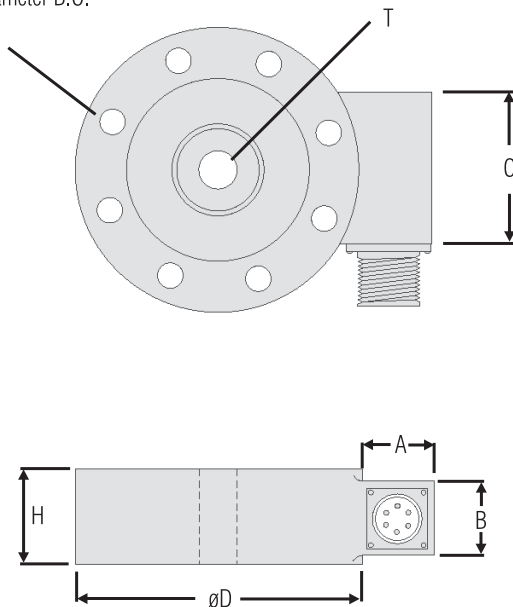
	Many range/option combinations are available in our quick-ship and fast-track manufacture programs. Please see http://sensing.honeywell.com/TMsensor-ship for updated listings.	
Load ranges	50, 100, 250, 500, 1000, 2000, 3000, 4000, 5000, 7500, 10000, 15000, 20000, 30000, 50000, 75000, 150000, 200000 lb	
Temperature compensation	1a. 60 °F to 160 °F 1b. 30 °F to 130 °F 1c. 0 °F to 185 °F 1d. -20 °F to 130 °F 1e. -20 °F to 200 °F 1f. 70 °F to 250 °F	1g. 70 °F to 325 °F ¹³ 1h. 70 °F to 400 °F ¹³ 1i. -65 °F to 250 °F ¹³ 1j. 0 °C to 50 °C 1k. -20 °C to 85 °C 1m. -25 °C to 110 °C
Internal amplifiers	2b. Four wire, ±5 Vdc output 2c. 0 Vdc to 5 Vdc 2j. 4 mA to 20 mA (three-wire) output 2k. 4 mA to 20 mA (two-wire) ¹²	2n (2N) 4 mA to 20 mA (two-wire) intrinsically safe ¹² 2t. 0 Vdc to 10 Vdc output 2u. Unamplified, mV/V output
Internal amplifier enhancements	3a. Input/output isolation ¹¹ 3d. Remote buffered shunt calibration ⁹	
Electrical termination	6a. Bendix PTIH-10-6P (ranges to 2000 lb) 6b. MS connector MS3102E-14S-6P (mates with MS3106E-14S-6S) (max. 160 °F) (ranges 2000 lb and above) ¹⁴ 6e. Integral cable: Teflon 6f. Integral cable: PVC	6g. Integral cable: Neoprene 6h. Integral cable: Silicone 6i. Integral underwater cable 6j. 1/2-14 conduit fitting with 5 ft of 4 conductor PVC cable
Shunt calibration	8a. Precision internal resistor ¹³	
Bridge resistance	12b. 5000 ohm (foil) (max. 250 °F)	
Bridge type	31a. Dual bridge	
Zero and span adjustment	14a. No access to pots 14b. Top access to pots	
Electrical connector orientation	15a. Horizontal electrical exit port orientation 15b. Vertical electrical exit port orientation 15c. Radial electrical exit port orientation 15d. Connector on end of cable	
Special calibration	30a. Compression only calibration, positive in compression 30b. Tension and compression calibration, positive in tension	
Shock and vibration	44a. Shock and vibration resistance	
Interfaces	53e. Signature calibration ¹³ 53t. TEDS IEEE 1451.4 module ⁷	

Precision Low Profile Load Cell

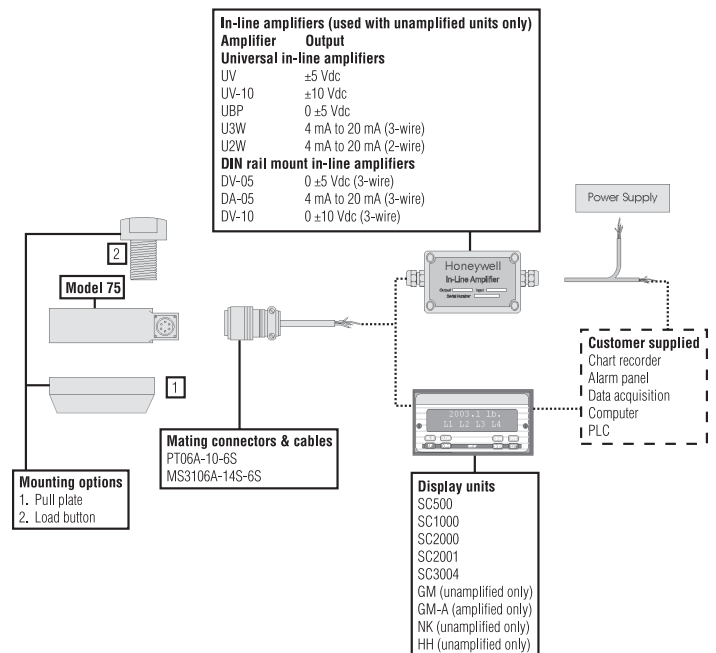
MOUNTING DIMENSIONS

Ranges lb	D mm [in]	H mm [in]	F #	ØG mm [in] B.C.	ØK mm [in] thru	T	A mm [in]	A* mm [in]	B mm [in]	B* mm [in]	C mm [in]
50 to 500	76,2 [3.00]	25,4 [1.00]	6	57,15 [2.250]	7,11 [0.28]	3/8-24 UNF	20,83 [0.82]	63,5 [2.5]	19,05 [0.75]	22,86 [0.9]	31,75 [1.25]
1000 to 2000	88,9 [3.50]	25,4 [1.00]	6	66,68 [2.625]	8,64 [0.34]	1/2-20 UNF	20,83 [0.82]	63,5 [2.5]	19,05 [0.75]	22,86 [0.9]	31,75 [1.25]
3000 to 7500	139,7 [5.50]	45,72 [1.80]	8	114,3 [4.500]	10,16 [0.40]	1-14 UNS	31,75 [1.25]	58,42 [2.3]	38,1 [1.50]	38,1 [1.5]	50,8 [2.00]
10000 to 20000	152,4 [6.00]	45,72 [1.80]	8	123,83 [4.875]	13,46 [0.53]	1 1/2-12 UN	31,75 [1.25]	58,42 [2.3]	38,1 [1.50]	38,1 [1.5]	50,8 [2.00]
30000 to 50000	190,5 [7.50]	50,8 [2.00]	8	152,4 [6.00]	19,81 [0.78]	2-12 UN	31,75 [1.25]	58,42 [2.3]	38,1 [1.50]	38,1 [1.5]	50,8 [2.00]
75000 to 100000	228,6 [9.0]	63,5 [2.50]	12	196,85 [7.75]	16,76 [0.66]	2 1/2-12 UN	31,75 [1.25]	58,42 [2.3]	38,1 [1.50]	38,1 [1.5]	50,8 [2.00]
150000, 200000	355,6 [14.00]	107,95 [4.25]	12	298,45 [11.750]	26,16 [1.03]	3 1/2-8 UN	31,75 [1.25]	58,42 [2.3]	38,1 [1.50]	38,1 [1.50]	**

F Clearance holes equally spaced on G diameter B.C.
K diameter thru



TYPICAL SYSTEM DIAGRAM



NOTES

1. C dimension varies on high ranges. Consult factory.
2. Allowable maximum loads - maximum load to be applied without damage.³
3. Without damage - loading to this level will not cause excessive zero shift or performance degradation. The user must consider fatigue life for long term use and structural integrity. All structurally critical applications (overhead loading, etc.) should always be designed with safety redundant load paths.
4. Interconnecting shunt cal. 1 terminal with shunt cal. 2 terminal provides 50 % (unamplified units), 75 % (4 mA to 20 mA three-wire units) or 80 % (voltage amplified units) of full scale output for quick calibration. Shunt calibration comes standard with internal amplifier option 2a, 2b, 2c, 2t and 2j.
5. O=Orange; Y=Yellow; B=Blue; Bl=Black; R=Red; Br=Brown; W=White; G=Green. Color specifying cable and number or letter specifying connector.
6. No mating connector necessary for cable option.
7. Consult factory for TEDS availability with amplified models.
8. Range dependent; consult factory. Termination dependent; consult factory.
9. Internal amp and termination dependent; consult factory.
10. This unit calibrated to Imperial (non-Metric) units.
11. Input/output isolation only available with voltage output (2b or 2c) amplifiers.
12. 5000 ohm bridge required.
13. Cannot be used with amplified option.
14. Cannot be used with options 1c, 1e, 1f, 1g, 1h, or 1i.

Warranty. Honeywell warrants goods of its manufacture as being free of defective materials and faulty workmanship. Honeywell's standard product warranty applies unless agreed to otherwise by Honeywell in writing; please refer to your order acknowledgement or consult your local sales office for specific warranty details. If warranted goods are returned to Honeywell during the period of coverage, Honeywell will repair or replace, at its option, without charge those items it finds defective. **The foregoing is buyer's sole remedy and is in lieu of all warranties, expressed or implied, including those of merchantability and fitness for a particular purpose. In no event shall Honeywell be liable for consequential, special, or indirect damages.**

While we provide application assistance personally, through our literature and the Honeywell web site, it is up to the customer to determine the suitability of the product in the application.

Specifications may change without notice. The information we supply is believed to be accurate and reliable as of this printing. However, we assume no responsibility for its use.

For more information about Sensing and Control products, visit www.honeywell.com/sensing or call +1-815-235-6847

Email inquiries to info.sc@honeywell.com

WARNING **PERSONAL INJURY**

- DO NOT USE these products as safety or emergency stop devices or in any other application where failure of the product could result in personal injury.

Failure to comply with these instructions could result in death or serious injury.

WARNING **MISUSE OF DOCUMENTATION**

- The information presented in this catalogue is for reference only. DO NOT USE this document as product installation information.
- Complete installation, operation and maintenance information is provided in the instructions supplied with each product.

Failure to comply with these instructions could result in death or serious injury.

Sensing and Control
Automation and Control Solutions
Honeywell
1985 Douglas Drive North
Golden Valley, MN 55422 USA
+1-815-235-6847
www.honeywell.com/sensing

008611-1-EN IL50 GLO
May 2008
Copyright © 2008 Honeywell International Inc. All rights reserved.

Honeywell