

HONEYWELL S&C TEST AND MEASUREMENT PRODUCTS

Honeywell Sensing and Control (S&C) has over 50 years of experience serving the Test & Measurement industry with our Sensotec and Lebow product lines. Our breadth of offerings and customization ability offers unmatched value down the line — robust sensor solutions for any test and measurement need. Enhanced accuracy, low drift, repeatability, and durability are built into every sensor, improving output and endurance.

Single source for test and measurement sensors, accessories, service

We are a single source for most of your test and measurement needs and offer one of the broadest products ranges in the industry - we offer load cells, pressure transducers/sensors, torque sensors, accelerometers, displacement transducers, instrumentation, and repair/calibration services. If you need one unit or several thousand, a standard catalog item or a product designed for your specifications, Honeywell S&C test and measurement products help you achieve your measurement goals worldwide.

Catalog items: Sensors and instrumentation on-demand with rapid delivery

At Honeywell S&C, we believe that good products should not mean long delivery times. In this catalog we list thousands of products to meet your test and measurement needs, with many products and sub-components in stock to facilitate rapid delivery. Our on-demand delivery programs include three levels of service:

- 1. Quick-ship program:** hundreds of stocked products available to ship within five days or less. Many are available for same-day shipping. Please contact us at 1 800.848.6564 (+1 614.850.5000) with questions or urgent requests. For the most up-to-date listing of products in this program, visit our Web site at <http://sensing.honeywell.com/tmsensor-ship>.
- 2. Fast track manufacture program:** catalog products that can be rapidly assembled using stocked subcomponents for shortened lead times. This allows us to configure product for your specification using stocked components. Many of our products fall into this program and cover a variety of commonly requested product options. For the most up-to-date listing of catalog items in this program, visit our Web site at <http://sensing.honeywell.com/tmsensor-ship>.
- 3. Build-to-order program:** catalog products requiring special and non-standard options; lead-times vary and will be quoted by the factory. For the most up-to-date listing of catalog items in this program, visit our Web site at <http://sensing.honeywell.com/tmsensor-ship>.

Sensor customization: Designed for your specifications

Customization is our specialty at Sensing and Control. Our breadth of core sensor and electronic engineering competencies has enabled us to deliver custom sensor designs to solve thousands of customers' specific needs. Designs can be done in a matter of weeks by uniquely packaging modules from our proven design library.

- **Extreme operating conditions** (e.g., temperature, vibration, harsh environments, fatigue, designed to operate in temperatures as low as -325 °F [-198 °C], as high as 425 °F [218 °C]; or to function in up to 10,000 ft (3048 m) of sea water
- **Demanding specifications** (e.g., accuracy, linearity, hysteresis, repeatability, drift)
- **Specific physical configuration requirements** (e.g., packaging constraints, unique interfaces, special cables/connectors)

Industry-specific offerings

Many of our offerings are also tailored for unique industry needs – aerospace/defense, oil/gas, automotive/off-road, marine, medical, and industrial. We also offer special agency approvals, including FM, CSA, LCIE, DNV, and CE. Examples of industry offerings and potential applications include:

- **Aerospace/defense:** offerings for both flight rated and demanding aerospace ground test applications
- **Oil/gas:** offerings for off/on-shore drilling platforms meeting very unique industry specifications with agency approvals
- **Automotive/off-road:** offerings that meet the stringent testing requirements this industry expects for dynamometers, engine/transmission test stands, hydraulic system testing, etc.
- **Marine:** offerings that are designed for harsh environments and used for engine testing and propulsion monitoring systems
- **Medical:** offerings designed to meet very tight specifications needed for high-precision surgical systems
- **Industrial:** offerings used in a variety of applications including quality control, material testing, assembly line testing, and process monitoring to name a few

To order these products

Contact your local Honeywell S&C Test and Measurement Sales Representative or Honeywell S&C sales offices.

Please contact us with any questions – our application consultants are available to you 8:00a – 5:00p EST Monday through Friday.

Phone: 1 800.848.6564/+1 614.850.5000

Fax: +1 614.850.1111

Email: info.sc@honeywell.com

Mailing address: 2080 Arlingate Lane, Columbus, OH 43228-4112, USA

More information on Honeywell Sensing & Control products can be found at www.honeywell.com/sensing. Find detailed installation instructions, application notes, Frequently Asked Questions (FAQs), selection guides and additional technical information.

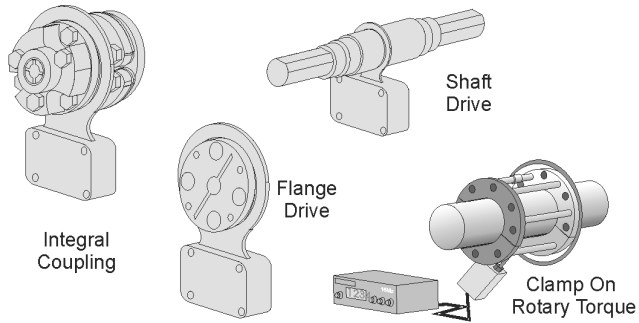


INTRODUCTION

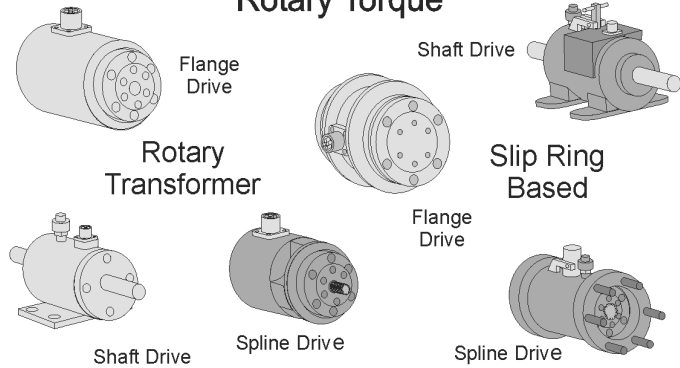
Pressure			
<p>Customer Configurable Fast Delivery</p>	<p>Test & Measurement Industrial</p> <p>Model A-5</p>	<p>High Precision</p> <p>True Gage</p> <p>Model Z</p> <p>Model TJE</p> <p>Super TJE</p> <p>>0.5% 0.25% 0.1% 0.05%</p>	<p>OEM</p> <p>OEM / High Volume</p>
<p>Miniature</p> <p>Thin as a dime</p> <p>Subminiature</p> <p>Flush Diaphragm</p> <p>Internally Amplified</p> <p>O ring Seat</p>	<p>Wet/Wet Differential</p> <p>High Differential Pressure High Line Pressure</p> <p>Low Differential Pressure High Line Pressure</p> <p>Miniature</p>	<p>Special Application</p> <p>Process Control Transmitters</p> <p>Ultra High Pressure</p> <p>Clean in place</p> <p>Wing Union Oil Field</p>	
Load			
<p>Low Profile</p> <p>Stainless Steel</p> <p>4-20mA or 5 volt output</p> <p>Calibration Class</p>	<p>Fatigue Rated</p> <p>Tension Compression</p> <p>Carbon Steel</p>	<p>Miniature</p> <p>Tension/Compression</p> <p>Subminiature Tension/Compression</p> <p>Subminiature Compression</p> <p>High Capacity Compression</p>	
<p>Custom Specials</p> <p>Brake Pedal</p> <p>Seat Belt</p>	<p>Multi-Function Applications</p> <p>S Beam</p> <p>Canister Style</p> <p>Compression Only</p> <p>Rod End/In-line</p> <p>High Capacity</p> <p>Button Style</p> <p>Hollow Style</p> <p>Donut Style</p>		

Torque

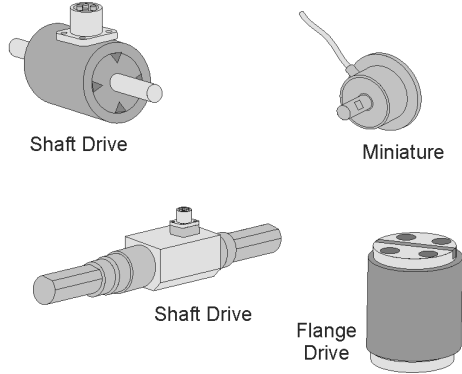
Wireless Telemetry Rotary Torque



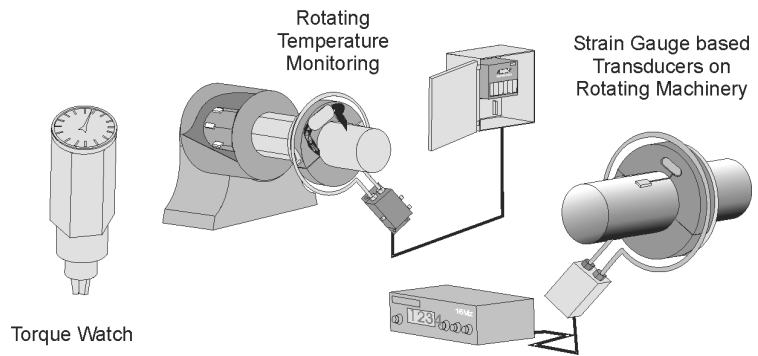
Rotary Torque



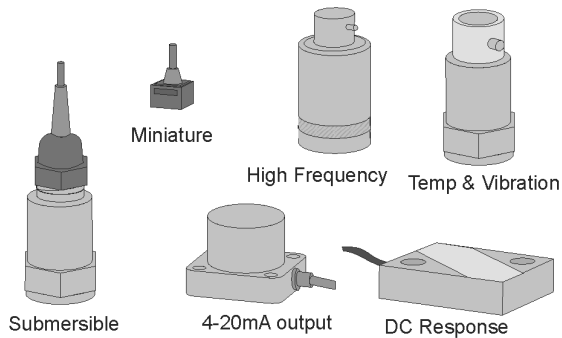
Reaction Torque



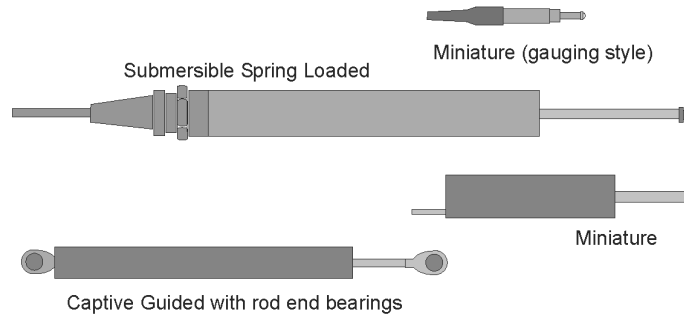
Special Applications



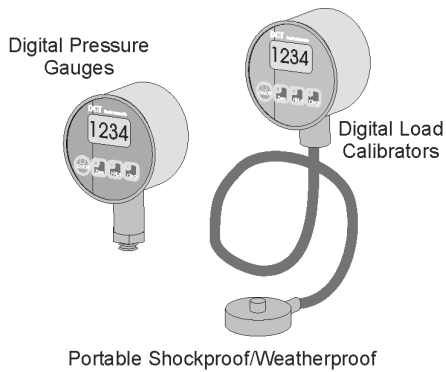
Accelerometers



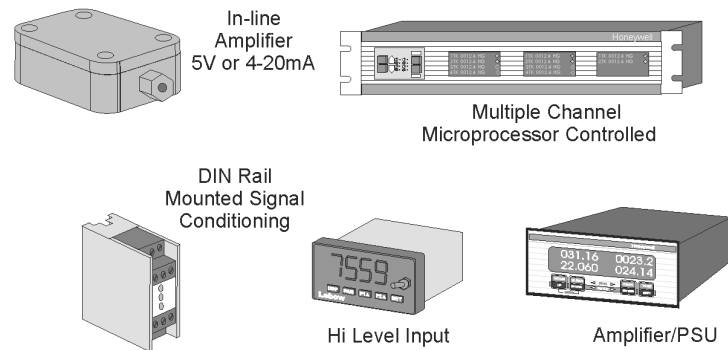
Displacement Transducers



Digital Gauges



Instrumentation



Specifications subject to change.

Questions? Contact us at either 1-800-848-6564, +1 614-850-5000, or our Web site for customized options: (<http://sensing.honeywell.com/TMsensor-help>).

Honeywell