

PROGRAMMABLE THERMOSTAT

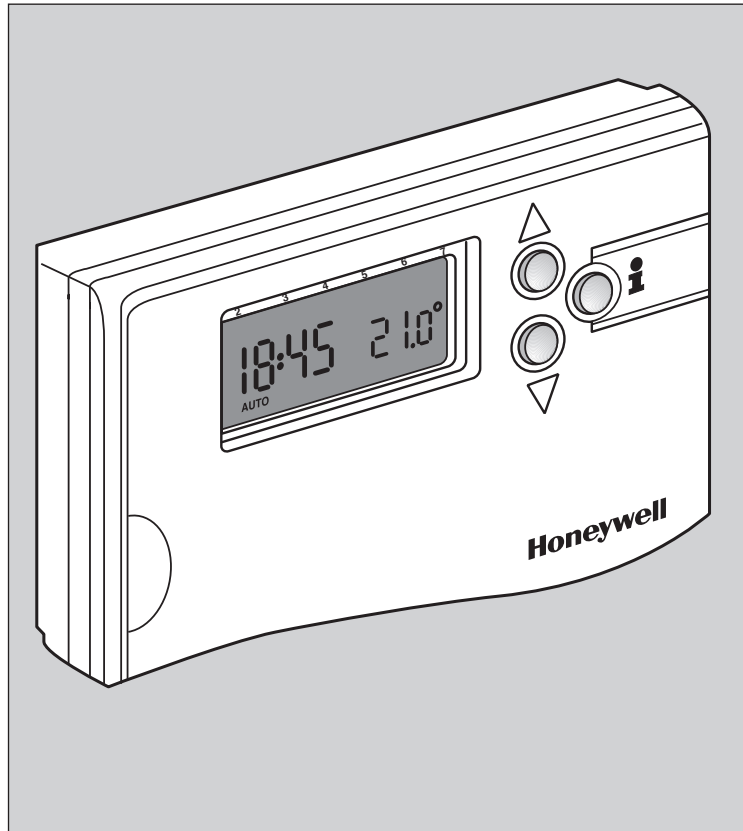
CM67

FEATURES

- 7-Day programming.
- Built-in start-up programme.
- Battery powered with replacement indicator.
- Temporary programme override.
- Automatic, Manual, Holiday and Party Modes.
- Day OFF programme.
- OFF position with Frost Protection.
- Continuous display of real time and temperature.
- Proportional + Integral control action.
- Installer set-up mode.
- Temperature set point inquiry.
- Six time/temperature pairs for each day.
- Burner ON symbol.

OPTIONS

- Optimum start model.
- Remote sensor (wire-in).
- Outside temperature sensor (wire-in).
- Automatic Time Set (plug-in).



APPLICATION

The CM67 programmable thermostat has been designed to provide automatic time and temperature control of hydronic and warm air heating and cooling systems. The unit can switch directly circulating pumps and boilers, motorised zone valves, or warm air heating. Voltage free switch contacts enable the CM67 to control systems over a wide range of voltages.

With the capability of providing a different heating programme for each day of the week the CM67 is ideally suited to meet living patterns that vary from day to day.

A combination of single function buttons and a sliding selector switch provides ease of programming and simplified operation.

The optimum start model will delay the start-up of the heating system to the latest possible moment, to avoid unnecessary heating, so that the dwelling is comfortably warm by the programmed time.

The optional Automatic Time Set module checks the displayed time every day by reference to the national time radio signal from the Rugby transmitter.

PROGRAMMABLE THERMOSTAT

CM67

Installation

The **CM67** can be either surface or flush switch box mounted. The wiring sub-base has holes to suit single switch boxes and provision for surface wiring.

The CM67 is shipped with an application setting of 6 cycles per hour, but can be altered by using the Installer Set-up Mode.

CM67 must be located where it is not subjected to extraneous heat gains, direct sunlight or draughts.

Only one wire-in sensor may be connected to a CM67.

Ordering Specification

T6667B1069

Programmable Thermostat complete with batteries, fixing screws and instructions.

T6667B1085

As above but with optimum start function.

F42009537-001

Wire-in Outside Sensor to enable outdoor temperature display only.

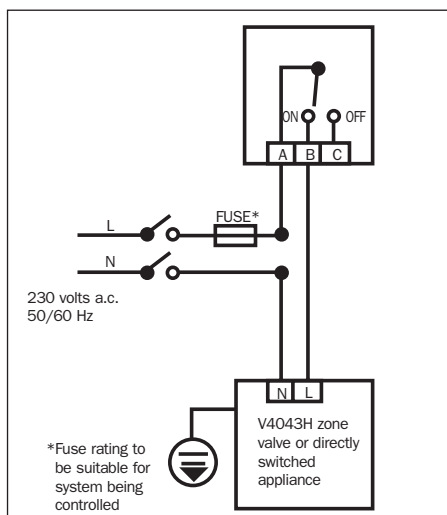
Q6667B1015

Plug-in Automatic Time Set module that sets clock time using the standard time signal broadcast from Rugby.

T7043G1004

Wire-in Room Sensor to enable remote temperature control.

Wiring



Specification

Switch Rating	: 230V~, 50Hz, 0.5A to 8A resistive : 24~, 50Hz, 0.5A to 8A resistive
Switch Type	: Single pole, double throw (SPDT) relay
Power Supply	: Two AA size, LR6, 1.5V alkaline batteries
Temperature Setting Range	: 5 to 30°C in 0.5°C steps
Frost Protection Temperature Setting Range	: 5 to 16°C in 0.5°C steps
Temperature Control Accuracy	: ±0.5K at 20°C (50% load, 3K/hour)
Time Setting Resolution	: Time of day – 1 minute Programme time changes – 10 minutes
Operating Temperature Range	: 0 to 40°C
Operating Humidity Range	: 0 to 90% RH, non-condensing
Storage Conditions	: -20 to 55°C 0 to 90% RH, non-condensing
Time Display	: 12 hour clock as shipped. Field changeable to 24 hour clock.
Application Settings	: 6 cycles per hour (cph) as shipped. Field adjustable between 3 cph and 12 cph to suit heating installation.
Standards	: Complies with BS EN60730-2-7 and BS EN60730-2-9
EC Directive	: Conforms to 89/336/EEC and 73/23/EEC

Dimensions (mm)

